

Prestbury Imperial Luxe Sleigh Cotbed

Instruction manual



**IMPORTANT - RETAIN FOR FUTURE
REFERENCE, READ CAREFULLY.**

Warning: A child's safety is your responsibility.

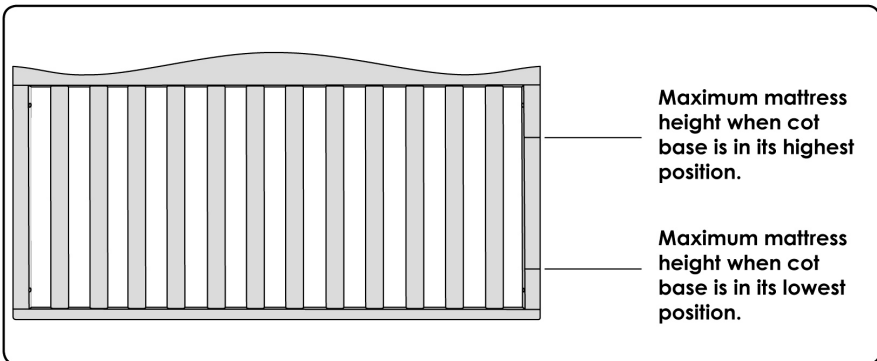
This product conforms to EN716-1:2017+AC:2019

Safety instructions

THESE INSTRUCTIONS ARE IMPORTANT - PLEASE READ CAREFULLY AND RETAIN FOR FUTURE REFERENCE

We strongly suggest you spend a short time reading through this leaflet and then follow the simple step by step guide to assembly.

- **WARNING** : A child's safety is your responsibility.
- **WARNING**: Be aware of the risk of open fire and other sources of strong heat, such as electric bar fires, gas fires, etc. in the near vicinity of the cot.
- **WARNING**: Do not use the cot if any part is broken, torn or missing and use only additional or replacement parts obtained from the manufacturer or distributor.
- **WARNING**: Do not leave anything in the cot or place the cot close to another product, which could provide a foothold or present a danger of suffocation or strangulation, e.g. strings, blind/curtain cords, etc.
- **WARNING**: Do not use more than one mattress in the cot.
- **WARNING: DO NOT use the cot without REAR cot side attached.**
- The lowest position is the safest and that the base should always be used in that position as soon as the baby is old enough to sit up.
- The thickness of the mattress used shall be such that the internal height (surface of the mattress to the upper edge of the cot frame) is at least 500mm in the lowest position of the mattress base and at least 200mm in the highest position of the mattress base. Marks on the inside of the rear cot side indicate the lowest and highest positions.
- All assembly fittings should always be tightened properly, checked periodically, and care should be taken that no screws are loose, because a child could trap parts of the body, or clothing (e.g. strings, necklaces, ribbons for babies' dummies), which could pose a risk of suffocation and strangulation.
- The safety of the cot could be adversely affected by fitting flammable drapes.
- To prevent injury from falls that when the child is able to climb out of the cot, the cot shall no longer be used for that child.
- Recommended mattress size 140 x 70cm, and the minimum mattress is 138 x 68cm, this is minimum size of mattress to be used with the cot. The length and width shall be such that the gap between the mattress and the sides and ends does not exceed 30 mm.



Welcome

Thank you for purchasing the Prestbury Imperial Luxe Sleigh Cotbed.
Please read the instructions and warnings carefully before use to ensure safe and satisfactory operation of this product.

Your child's safety is your responsibility. If you have a query with this product or require replacement parts, please contact the Helpline on 0161 688 1550.

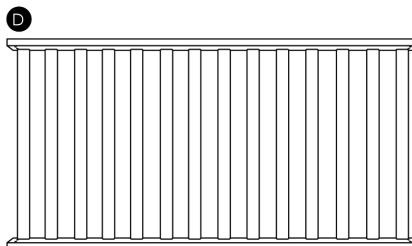
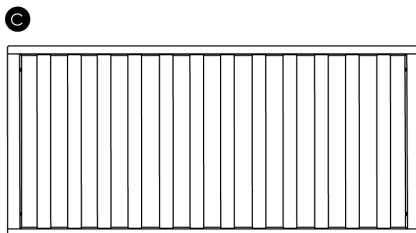
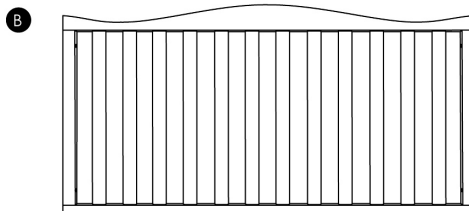
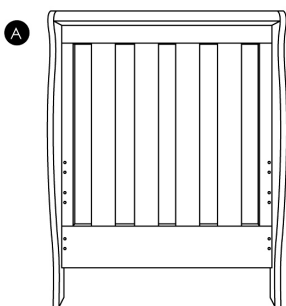
Lay out the parts on a soft level surface and compare to the part/fixings checklist. Do not discard any packaging until you are sure that you have all the parts.

WARNING! Assembly by an adult. Keep away from children until fully assembled. Keep children clear during assembly as pack contains small parts which may present a choking hazard.

Parts List - Cot Parts

Contained in your carton are:

Nº	Part	Qty
A	Cot Ends	2
B	Cot Side - Rear	1
C	Cot Side - Front	1
D	Cot Base	1



Parts List - Screws and Fixings

E



F



G



Contained in your carton are:

N ^o	Part	Qty
E	Bolts	16
F	Barrel Nuts	8
G	Allen Key	1

You will also require a cross head screwdriver and a flat head screwdriver (not included).

Before Assembling

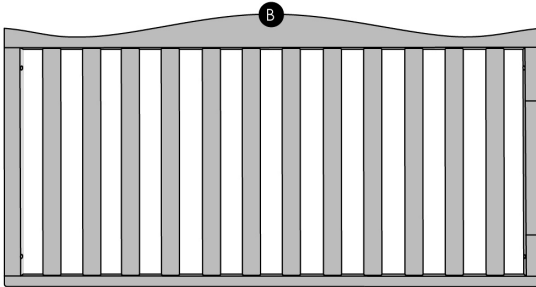
Before starting the assembly, please read through these instructions. Then carefully unpack your cotbed and check that you have a complete set of parts against the list.

We advise that the cotbed should be assembled in the room where it is intended to be used by two adults. The cotbed should be assembled on a clean, flat surface, making sure there are no sharp objects present that could mark or damage the panels.

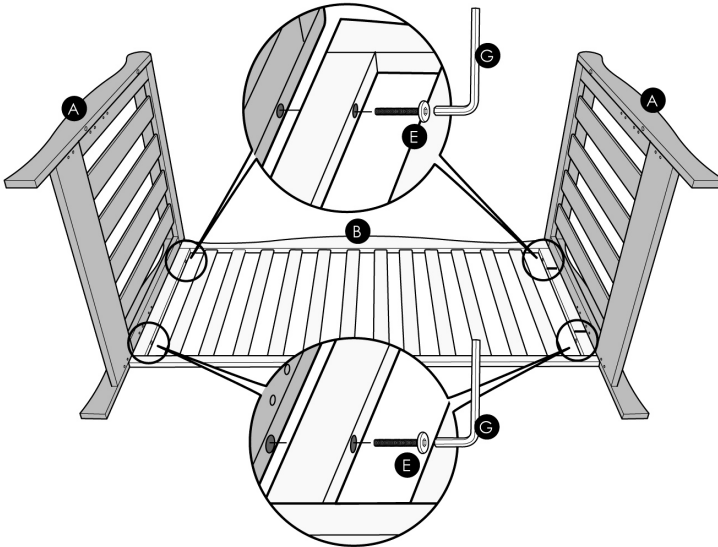
CAUTION:

There are many small components used in the construction of this cotbed. These items should be kept out of reach of young children whilst assembling the unit.

Assembling the Cot



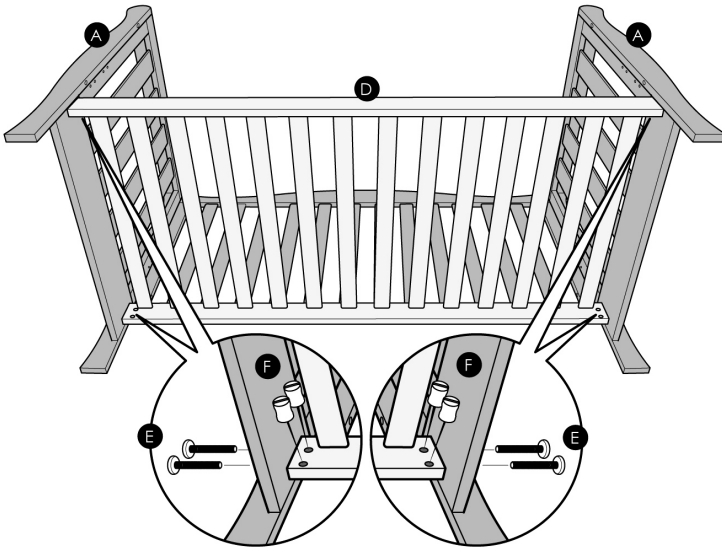
1. Lay the rear cot side (B) on the floor so that the height marks (i) and (ii) are facing you.



2. Take one cot end (A) and line up the holes on the cot side with those on the edge of the cot end. Insert 2 bolts (E) through the holes in the cot side and tighten using Allen key (G). Attach the second cot end (A) in the same way.

IMPORTANT! The cot should be handled carefully at this stage. Do not push or pull the cot ends and do not attempt to stand the incomplete cot upright.

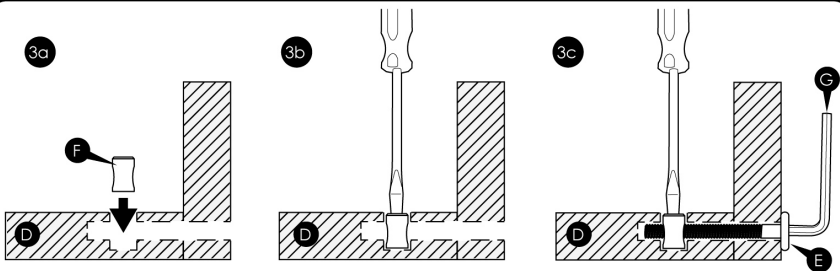
Assembling the Cot



3. With the cot still on its side, carefully place the cot base (D) in between the two cot ends (A) at your desired height. Fix the cot base (D) to the cot ends (A) using 8 bolts (E) and 8 barrel nuts (F) tighten with Allen key (G).

Note: See steps 3a, 3b and 3c for details on using barrel nuts.

IMPORTANT! The lowest base position is the safest and should always be used as soon as your child is old enough to sit up.

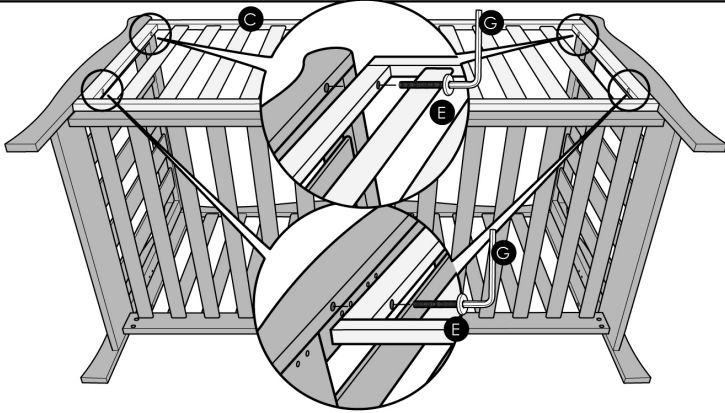


3a. Insert a barrel nut (F) into the hole on the inside of the cot base (D).

3b. Hold and align the barrel nut (F) using a flat-head screwdriver.

3c. Insert a long bolt (E) and tighten into the barrel nut (F) using allen key (G)

Assembling the Cot



4. Attach the front cot side (C) by lining up the holes on the cot side with those on the edge of the cot ends. Insert 4 bolts (E) through the holes in the cot side and tighten into the cot end using Allen key (G).

5. You can now stand the cot upright.

IMPORTANT! Before using, check all bolts are tight and that no parts are loose.



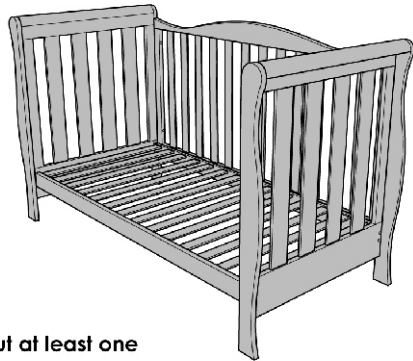
Assembling as a Cotbed

6. To use as a cotbed follow the steps 1, 2 and 3 for assembling the cot ensuring the base is attached in step 3 in the lowest position.

Once you have attached the base check all bolts are tight and stand your assembled cotbed upright.

IMPORTANT! Before using, check all bolts are tight and that no parts are loose.

WARNING! NEVER use the cotbed without at least one cot side attached.



Converting from Cot mode to Cotbed mode

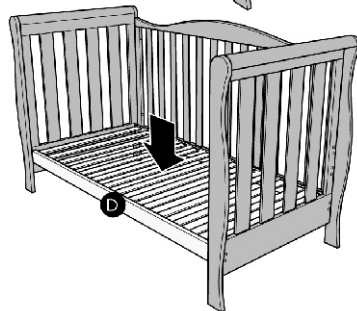
7. If you have been using the cot for some time and wish to convert it to cotbed mode, then you will need to remove the front cot side (C) and ensure that you lower the cot base (D) to its lowest position.

Follow steps 8, 9 10 for adjusting the base height ensuring the base is attached in step 10 in the lowest position.

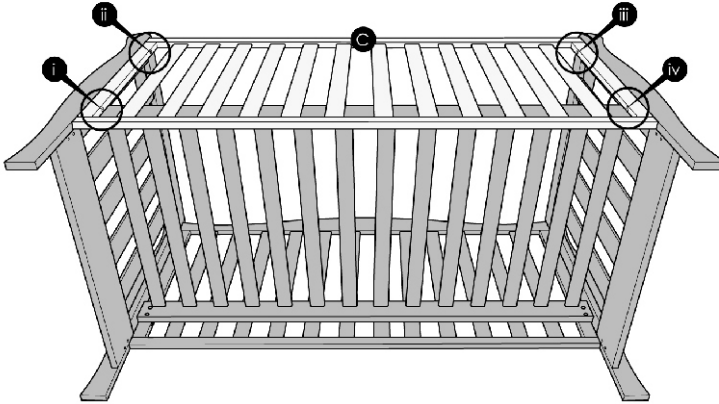
Once you have attached the base check all bolts are tight and stand your assembled cotbed upright.

IMPORTANT! Before using, check all bolts are tight and that no parts are loose.

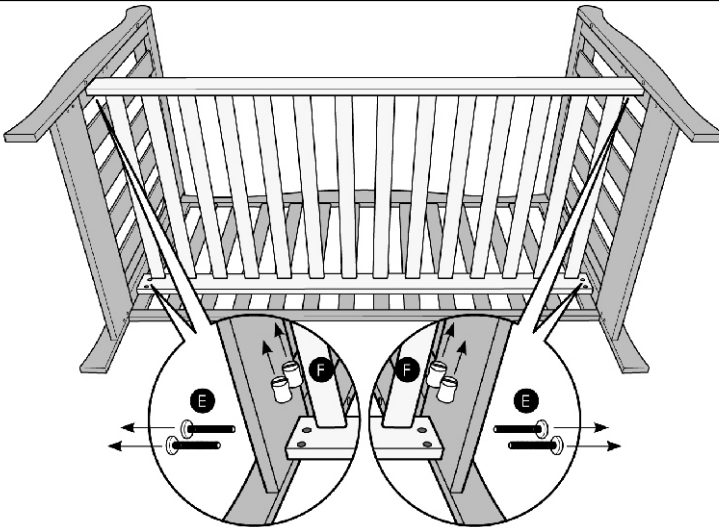
WARNING! NEVER use the cotbed without at least one cot side attached.



Adjusting the base height

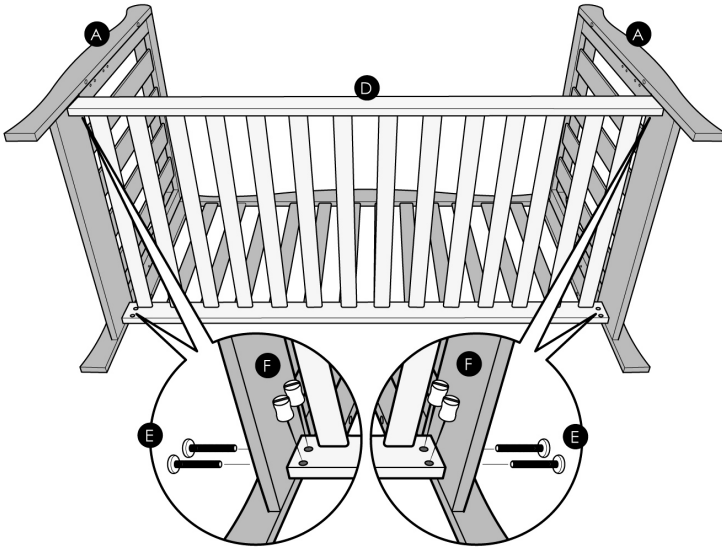


8. Remove any bedding and mattress from the cot. Loosen all bolts by 2 or 3 turns, this will help when removing the sides and moving the base up or down. Carefully turn the cot on it's back so that the front cot side (C) is uppermost. Fully undo the 4 bolts (i),(ii),(iii),(iv) and remove the front cot side (C). Put the cot side (C) and the 4 bolts safely to one side.



9. Undo and remove all 8 bolts (E) and barrel nuts (F) that hold the base in place.

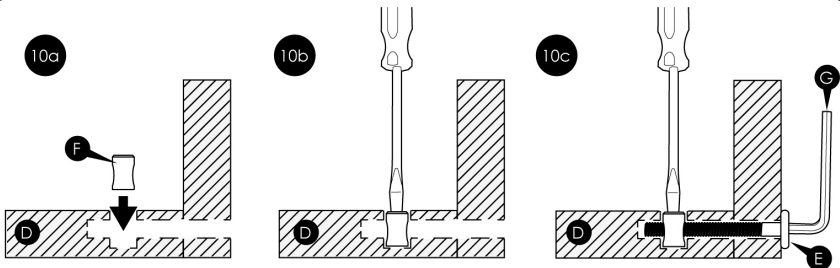
Adjusting the base height



10. Reposition the cot base (D) in between the two cot ends (A) at your desired height. Fix the cot base (D) to the cot ends (A) using 8 bolts (E) and 8 barrel nuts (F) tighten with the Allen key (G).

Note: See steps 10a, 10b and 10c for details on using barrel nuts.

IMPORTANT! The lowest base position is the safest and should always be used as soon as your child is old enough to sit up.

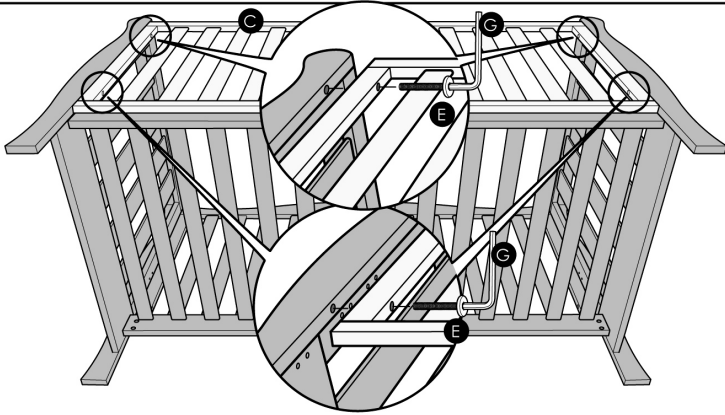


10a. Insert a barrel nut (F) into the hole on the inside of the cot base (D).

10b. Hold and align the barrel nut (F) using a flat-head screwdriver.

10c. Insert a long bolt (E) and tighten into the barrel nut (F) using allen key (G)

Adjusting the base height

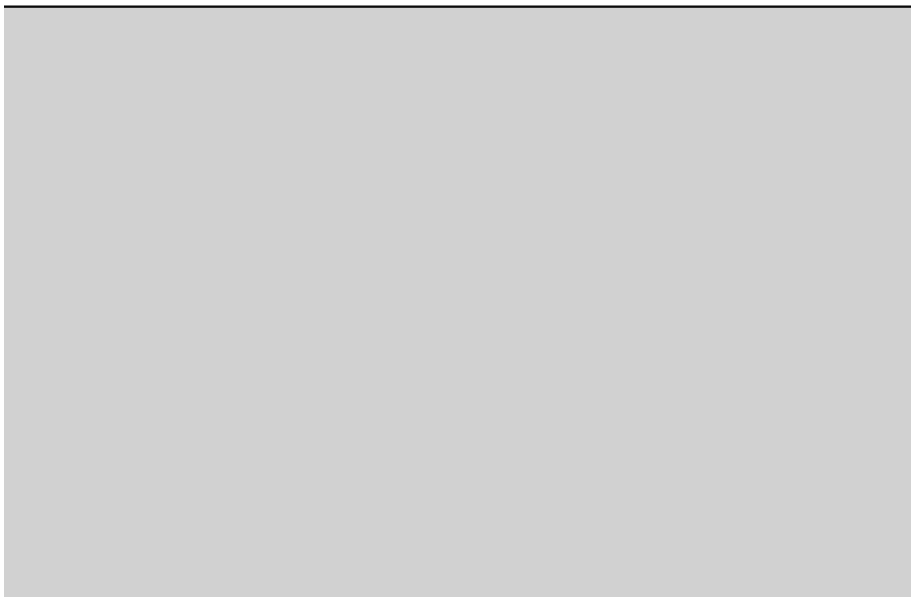


11. Attach the front cot side (C) by lining up the holes on the cot side with those on the edge of the cot ends. Insert 4 bolts (E) through the holes in the cot side and tighten into the cot end using Allen key (G).

12. You can now stand the cot upright.

IMPORTANT! Before using, check all bolts are tight and that no parts are loose.



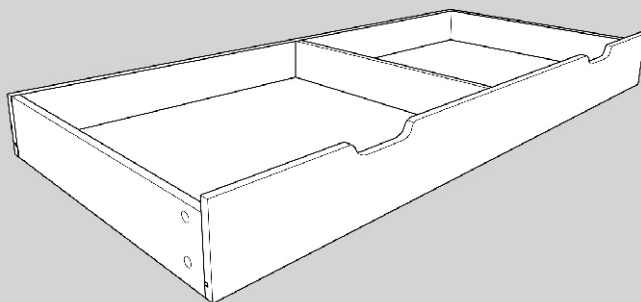


www.pugglebaby.co.uk
Like us on  Facebook

Imported by **Online4baby Ltd**, Meadowbank, Tweedale Way,
Oldham, OL9 8EH, UK
Customer service No: 0161 688 1550

Under Cotbed Drawer

Instruction manual



**IMPORTANT - RETAIN FOR FUTURE
REFERENCE, READ CAREFULLY.**

WARNING! Assembly by an adult. Keep children away until fully assembled. Pack contains small parts which may present a choking hazard.

Safety instructions

THESE INSTRUCTIONS ARE IMPORTANT - PLEASE READ CAREFULLY AND RETAIN FOR FUTURE REFERENCE

We strongly suggest you spend a short time reading through these instructions and then follow the simple step by step guide to assembly.

- **WARNING:** Do not use the drawer if any part is broken, torn or missing.
- **WARNING:** Only use on a flat, level and stable surface.
- Only use additional or replacement parts obtained from the manufacturer or distributor.
- All assembly fittings should always be tightened properly, checked regularly and re-tightened if necessary.
- **DO NOT** use power tools to assemble this product. Power tools can cause screws and fittings to over-tighten and damage the wood. Power tools may also draw out any embedded insert nuts.



Care and Maintenance

- Scuff marks may be removed with a damp cloth.
- Occasional use of furniture polish will maintain the good looks of your cot drawer.
- **DO NOT** use abrasive cleaners on this product.
- Periodically check all screw fixings to ensure they remain tight.

Welcome

Thank you for purchasing the Puggle Under Cotbed Drawer. Please read the instructions and warnings carefully before use to ensure safe and satisfactory operation of this product.

Your child's safety is your responsibility. If you have a query with this product or require replacement parts, please contact the Helpline on 0161 688 1550.

Lay out the parts on a soft level surface and compare to the parts/fixings checklist. Do not discard any packaging until you are sure that you have all the parts.

WARNING! Assembly by an adult. Keep children away until fully assembled. Pack contains small parts which may present a choking hazard.

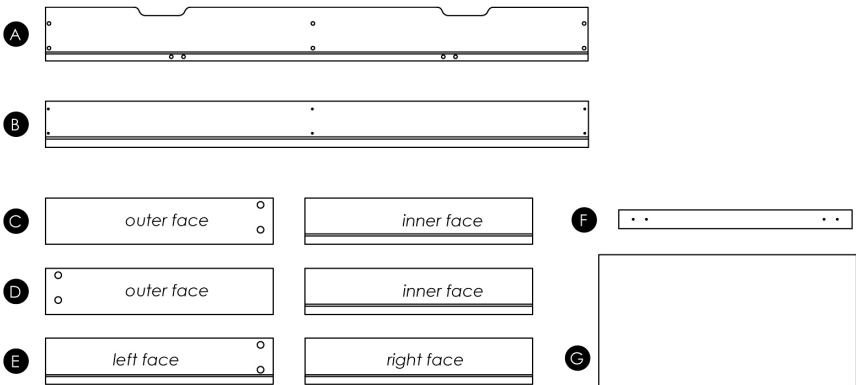
Before Assembling

Before starting the assembly, please read through these instructions. Then carefully unpack your under cot drawer and check that you have a complete set of parts against the list. We advise that the drawer should be assembled in the room where it is intended to be used. The drawer should be assembled on a clean, flat surface, (ideally a carpeted surface) making sure there are no sharp objects present that could mark or damage the panels.

CAUTION:

There are many small components used in the construction of this drawer. These items should be kept out of reach of young children whilst assembling the drawer.

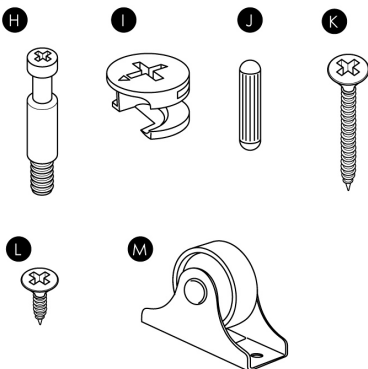
Parts List - Drawer Parts



Contained in your carton are:

Nº	Part	Qty
A	Front Panel	1
B	Back Panel	1
C	Left Side Panel	1
D	Right Side Panel	1
E	Centre Panel	1
F	Base Supports	2
G	Base Panels	2

Parts List - Screws and Fixings

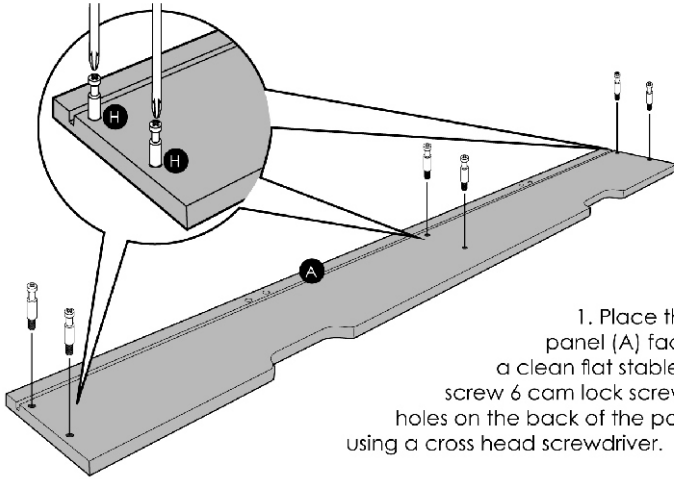


Contained in your carton are:

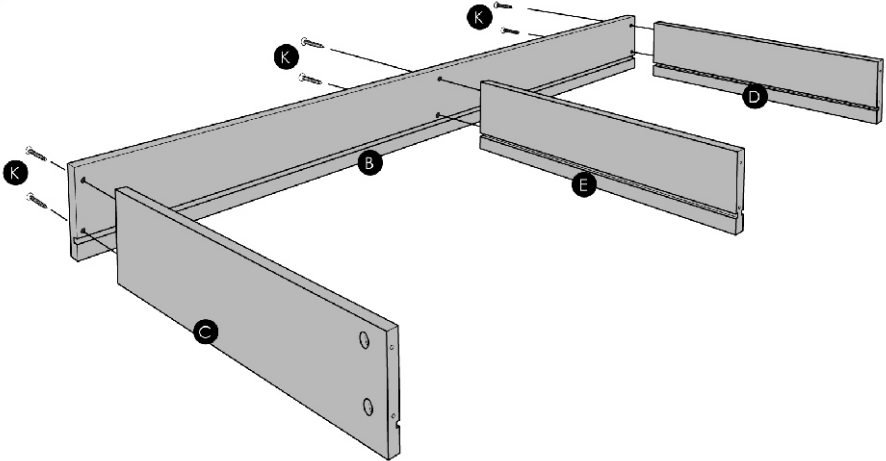
Nº	Part	Qty
H	Cam Lock Screws	6
I	Cam Lock Nuts	6
J	Wooden Dowels	8
K	Wood Screws	6
L	Wheel Screws	8
M	Wheels	4

You will also require a cross head screwdriver and a flat head screwdriver (not included).

Assembling the Drawer

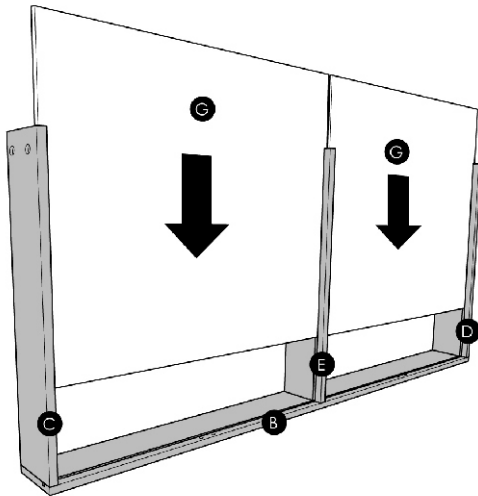


1. Place the drawer front panel (A) face down on a clean flat stable surface and screw 6 cam lock screws (H) in to the holes on the back of the panel as shown using a cross head screwdriver.

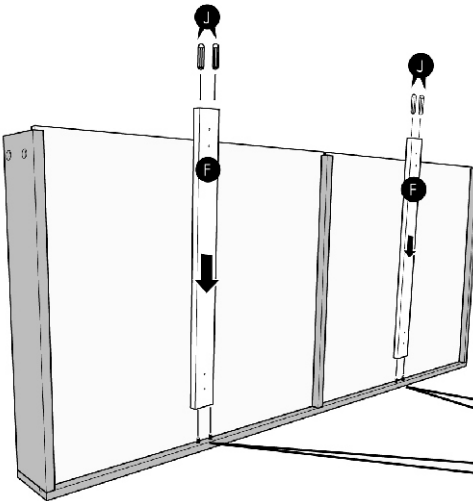


2. Attach the left side panel (C), right side panel (D) and centre partition (E) to the back panel (B) using 6 wood screws (K) and tighten using a cross head screwdriver.

Assembling the Drawer



3. Carefully turn the partly assembled drawer on to its back panel (B) as shown. Slide the base panels (G) along the slots in the side panels (C), (D) and centre partition (E) and into the slot on the back panel (B).

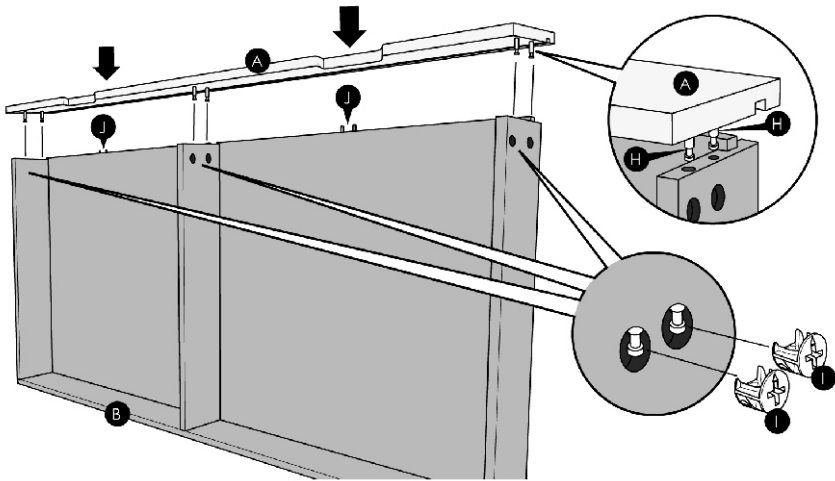


4. Insert four wooden dowels (J) into back panel (B).

Push the two base supports (F) onto the wooden dowels on back panel (B).

Finally insert two wooden dowels (J) into the top end of each base support (F).

Assembling the Drawer



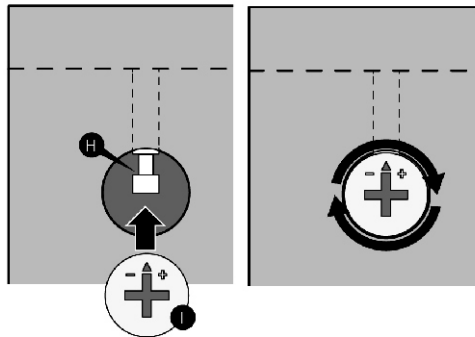
5. With the partly assembled drawer still on to its back panel (B), place the drawer front panel (A) onto the partly assembled drawer so that all the cam lock screws (H) and wooden dowels (J) fit into their corresponding holes.

IMPORTANT! Take your time and ensure all parts are correctly aligned. DO NOT force the parts together.

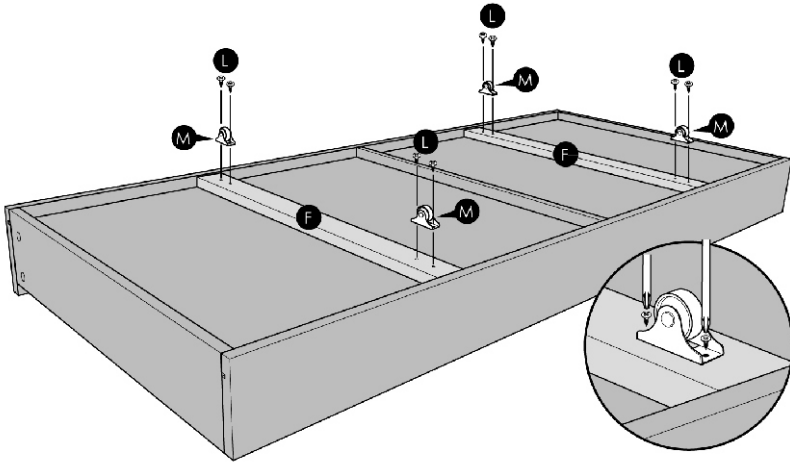
Insert cam lock nuts (I) and tighten them clockwise using a flat head screw driver.

CAUTION Avoid overtightening!

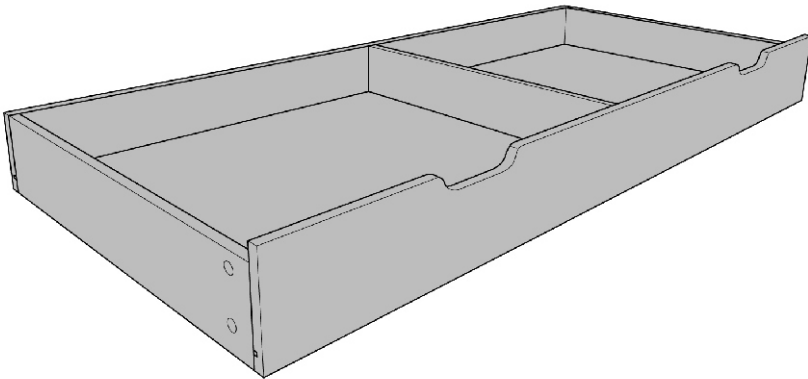
Note: Cam lock nuts normally have a plus and minus symbol or an arrow. Insert nuts so that the plus and minus (or arrow) point towards the cam lock screw as shown opposite. Once tightened the arrow will be pointing away from the screw.



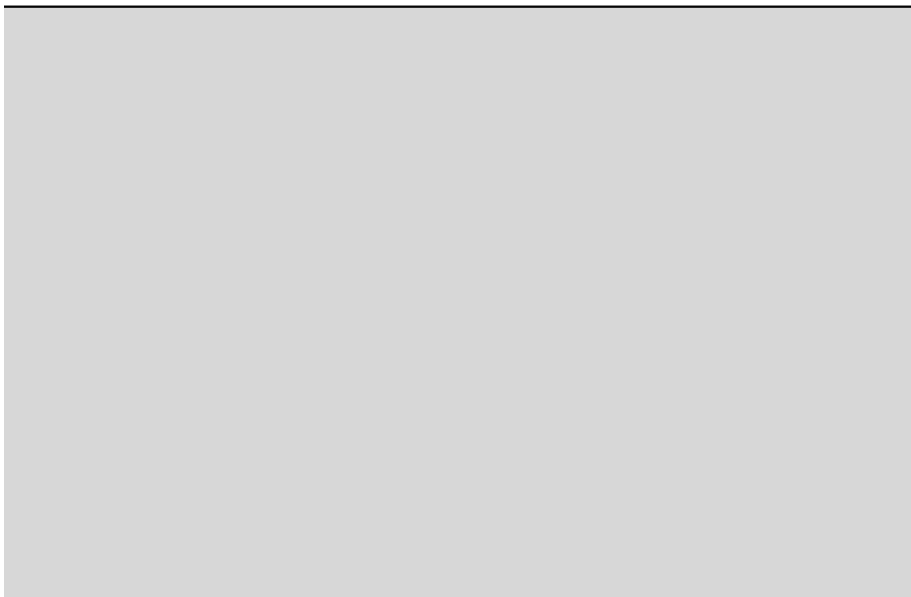
Assembling the Drawer



6. Turn the drawer face-down, line up the wheels with the pilot holes on the base supports (F) and using a cross head screw driver attach two wheels (M) to each base support (F) using screws (L).



7. The drawer is ready to use once all four wheels are attached.



www.pugglebaby.co.uk
Like us on  Facebook

Imported by **Online4baby Ltd**, Meadowbank, Tweedale Way,
Oldham, OL9 8EH, UK
Customer service No: 0161 688 1550