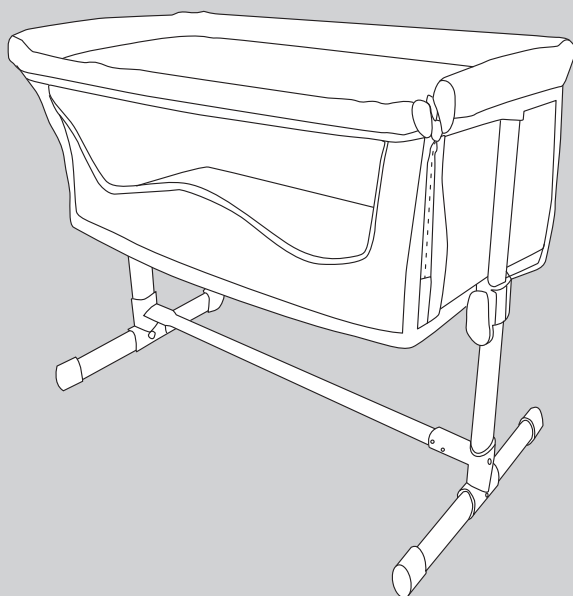


# Dolls Sleepy Bedside Crib

Instruction manual



**IMPORTANT - RETAIN FOR FUTURE  
REFERENCE, READ CAREFULLY.**

**Warning:** A child's safety is your responsibility.

This product is tested and approved to EN 71 – 1, 2 & 3



# 1 .Welcome

Thank you for purchasing the Puggle Dolls Sleepy Bedside Crib.  
Please read the instructions and warnings carefully before use to ensure safe and satisfactory operation of your Puggle Dolls Sleepy Bedside Crib.

If you have a query with this product or require replacement parts, please contact Online4baby online at [online4baby.com/contact-us](http://online4baby.com/contact-us).

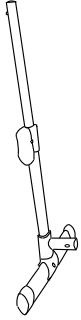
## 2. Safety instructions

**IMPORTANT! PLEASE READ THE FOLLOWING INSTRUCTIONS CAREFULLY BEFORE INSTALLING THE PRODUCT.**

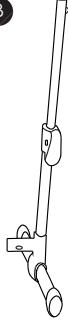
- **WARNING!** Keep for future reference. The child may be hurt if you do not follow these instructions.
- **WARNING!** Choking hazard due to small parts.
- **WARNING!** This product is not suitable for children under 36 months.
- **WARNING!** This product is a toy and is not suitable for carrying babies, children or pets.
- **WARNING!** Assembly should be carried out by an adult to prevent the item collapsing during use.
- **WARNING!** Please remove all packaging before giving this item to your children.
- **WARNING!** Adults should check the product regularly to prevent collapsing during play.

### 3. Parts List

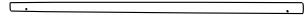
A



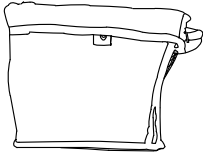
B



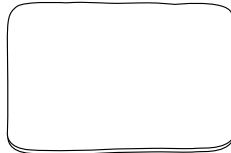
C



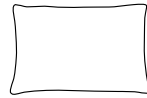
D



E



F



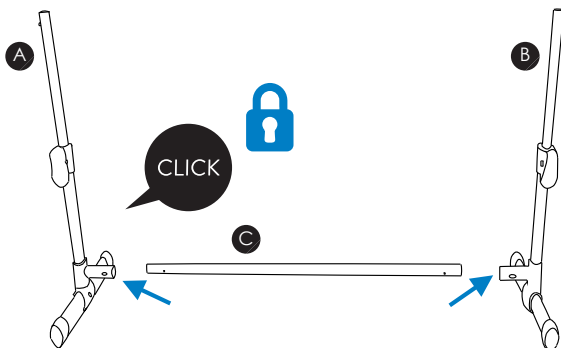
#### Contained in your carton are:

N°	Part	Qty
A	Left frame side	1
B	Right frame side	1
C	Support bar	1
D	Bassinet	1
E	Mattress	1
F	Pillow	1

## 4. Assembly

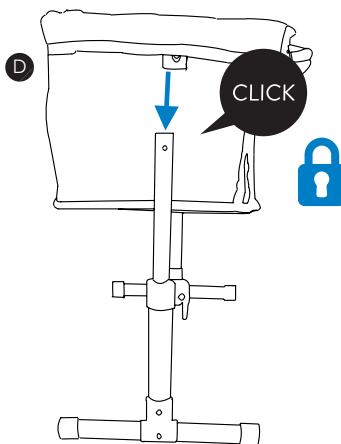
### 4.1. ASSEMBLE THE FRAME

Insert the support tube (C) into the connector on the left frame side (A). The spring pin will “click” once secure. Repeat for the right frame side (B).



### 4.2. ASSEMBLE THE BASSINET

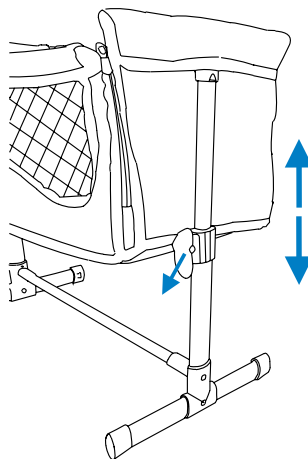
Connect the bassinet (D) to the assembled frame. The spring pin will “click” once secure.



## 5. In Use

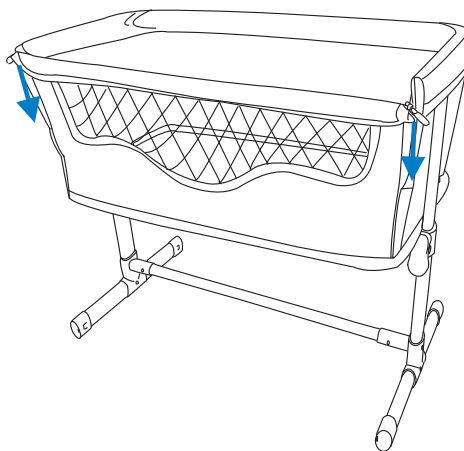
### 5.1. HEIGHT ADJUSTMENT

Push down on the plastic button to adjust the height of the bedside crib.  
There are 3 heights.



### 5.2. DROP SIDE

Unzip the panel on the side of the bedside crib to lower the side rail.



## 7. Care and Maintenance

### 5.1. CLEANING



- Spot or sponge clean fabrics with mild detergent. Use mild soap or upholstery shampoo. NEVER use bleach. Dry in shade thoroughly before reuse and avoid direct heat and sunlight. Do not iron. Do not dry clean.
- Wipe clean plastics and metals with a damp cloth.
- Never clean any part of the product with abrasive, ammonia based, bleach based or spirit type cleaners.
- Ensure the product is fully dry before use or storage.
- Always ensure the product is stored in a dry place to prevent mold or mildew developing.

### 5.2. MAINTENANCE

- The product requires regular maintenance to ensure correct and safe performance.
- Regularly inspect the joints and fixings to ensure they are clean, operating correctly and in full working order.
- Do not use this product if any part is broken, torn or missing and use only spares provided by the manufacturer.
- If parts become stiff or difficult to operate, ensure dirt is not the cause, then try a light application of a silicon lubricant, ensuring it penetrates between the components. Regular lubrication of moving parts will extend the life of your product and make opening and folding easier.
- After exposure to damp conditions, dry off with a soft cloth and leave fully open in a warm environment. Storing damp will encourage mildew to form.
- Store in a dry place.
- Do not leave in sunlight for prolonged periods as some fabrics may fade.



If you have any questions or concerns regarding this product,  
do not hesitate to contact our expert team online  
via [online4baby.com/contact-us](https://online4baby.com/contact-us)

Feeling social?    
[online4baby.com](https://online4baby.com)

Imported by Online4baby Ltd,  
Meadowbank, Tweedale Way, Oldham, OL9 8EH