

# Dine & Go Highchair

Instruction manual



**IMPORTANT - RETAIN FOR FUTURE  
REFERENCE, READ CAREFULLY.**

**Warning:** A child's safety is your responsibility.

This product is tested and approved to EN 14988:2017+A1:2020

# 1. Contents

1. Contents .....	01
2. Welcome .....	01
3. Safety Instructions .....	02
4. Parts List .....	03
5. Assembly .....	04
5.1. Leg assembly .....	04
5.2. Frame assembly .....	05
5.3. Front leg assembly .....	06
5.4. Back leg assembly .....	07
5.5. Seat assembly .....	08
5.6. Seat assembly .....	08
5.7. Tray assembly .....	09
5.8. Basket assembly .....	10
5.9. Harness assembly .....	11
5.10. Harness assembly .....	11
6. Using the Highchair .....	12
6.1. Harness adjustment .....	12
6.2. Harness adjustment .....	12
6.3. Folding .....	13
7. Care and Maintenance .....	14
7.1. Cleaning .....	14
7.2. Maintenance .....	14

# 2 .Welcome

Thank you for purchasing the Puggle Dine & Go Highchair.

Please read the instructions and warnings carefully before use to ensure safe and satisfactory operation of your Puggle Dine & Go Highchair.

If you have a query with this product or require replacement parts, please contact Online4baby online at [online4baby.com/contact-us](http://online4baby.com/contact-us).

### 3. Safety Instructions

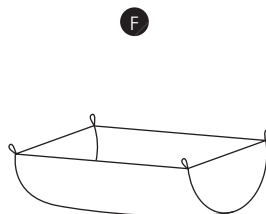
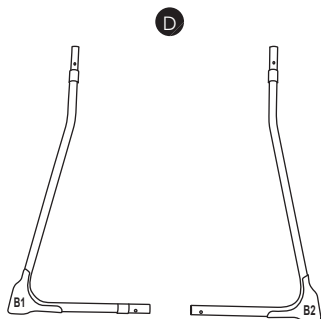
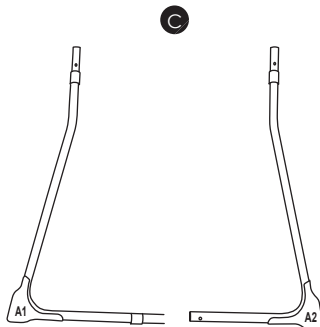
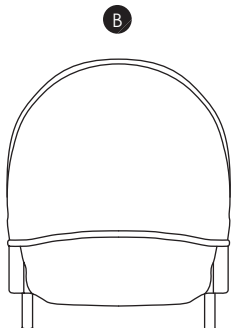
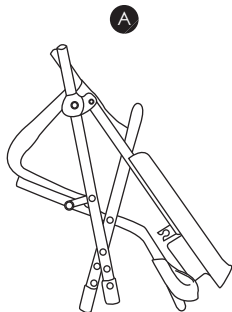
**IMPORTANT! PLEASE READ THE FOLLOWING INSTRUCTIONS CAREFULLY BEFORE INSTALLING THE PRODUCT.**

- **WARNING!** Read these instructions carefully before assembly and use and keep for future reference. The child may be hurt if you do not follow these instructions.
- **WARNING!** The product is intended for children able to sit up unaided and up to 3 years or a maximum weight of 15kg.
- **WARNING!** Never leave the child unattended.



- **WARNING!** Always keep child in view while in the highchair.
- **WARNING!** The harness must always be used and correctly fitted. Most injuries from highchairs are caused by falls.
- **WARNING!** Falling hazard: Prevent your child from climbing on the product.
- **WARNING!** Be aware of the risk of tilting when your child can push its feet against a table or any other structure.
- **WARNING!** Do not use the highchair unless all components are correctly fitted and adjusted.
- **WARNING!** Be aware of the risk of open fires and other sources of strong heat, such as electric bar fires, gas fires etc. in the vicinity of the highchair.
- **WARNING!** To avoid injury ensure that your child is kept away when unfolding and folding this product.
- Position the highchair on a flat, horizontal and even floor. Do not elevate the highchair on any structure.
- DO NOT allow anyone to climb or stand on or inside of this highchair.
- To reduce the risk of injury always position the highchair away from furniture, walls, heat sources and cords including window cords or electrical wires.
- If being used at a table with the tray removed, position away from furniture.
- Do not use the highchair until the child can sit up unaided. This is usually around 6 months of age.
- Do not use the highchair if any part is broken or missing.
- Regularly check all connections to ensure they are tight.
- Keep plastic packaging away from children to avoid danger of suffocation.
- This highchair conforms to EN 14988:2017+A1:2020

## 4. Parts List



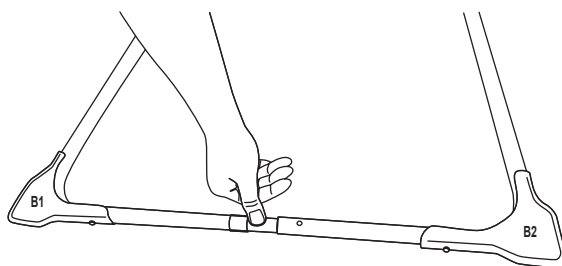
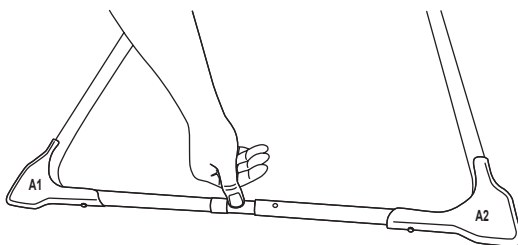
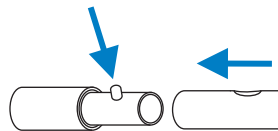
### Contained in your carton are:

N°	Part	Qty
A	Seat frame, footrest & tray	1
B	Seat, backrest frame & harness	1
C	Front legs (A1 & A2)	2
D	Back legs (B1 & B2)	2
E	Crotch guard	1
F	Storage basket	1

## 5. Assembly

### 5.1. LEG ASSEMBLY

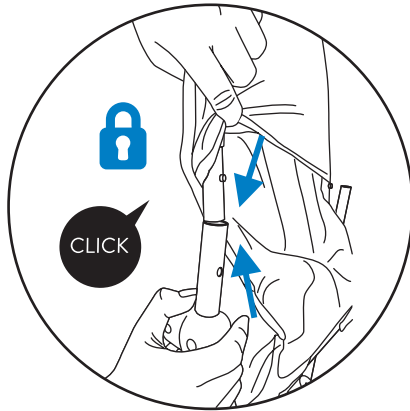
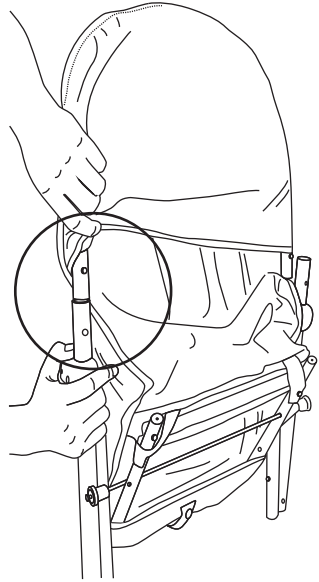
Connect the two front legs (C) together and the two back legs (D) together by pressing in the spring pin and inserting the smaller tube into the outer tube until the spring pin appears through the corresponding hole.



## 5. Assembly

### 5.2. FRAME ASSEMBLY

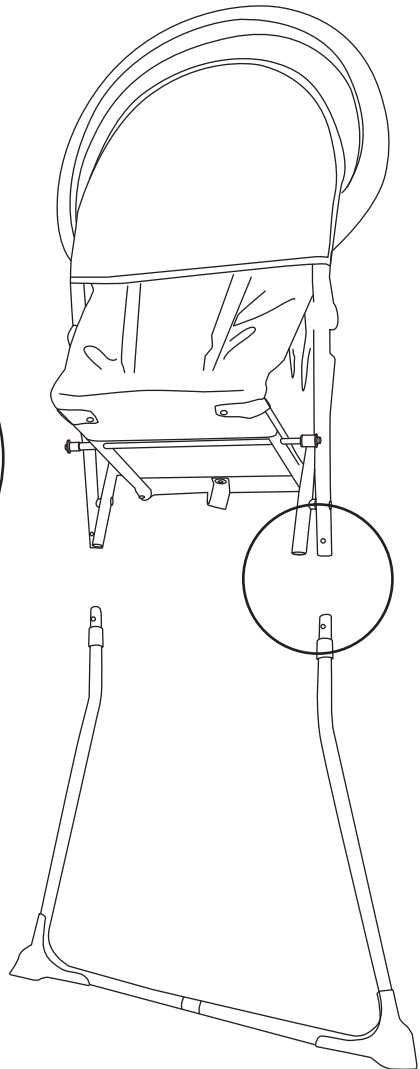
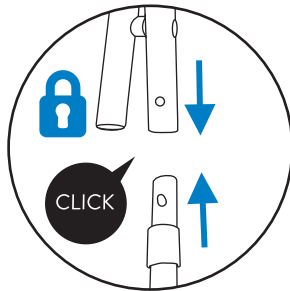
Assemble the seat frame (A) to the backrest frame (B) using the spring pins on the tubes as described on the previous page. Ensure the spring pins 'click' into place before continuing.



## 5. Assembly

### 5.3. FRONT LEG ASSEMBLY

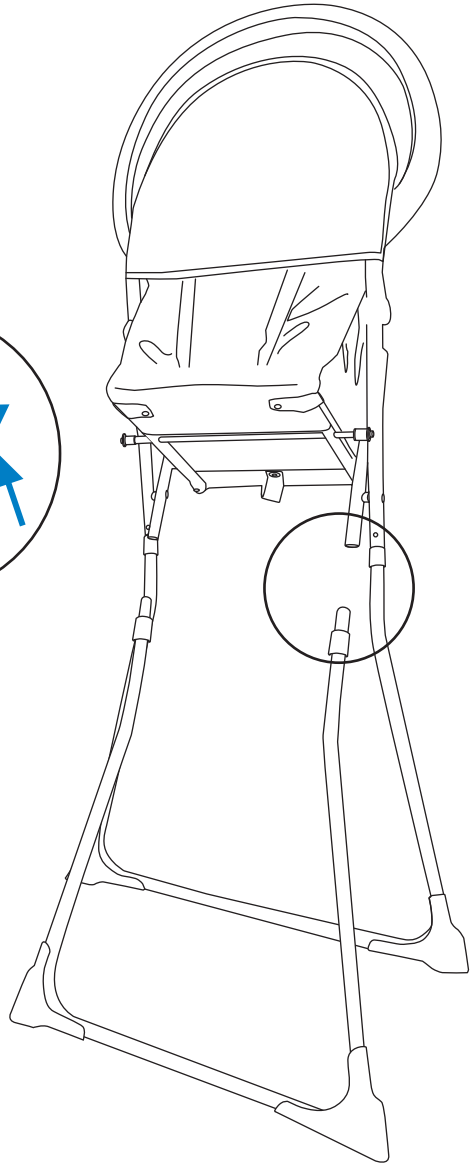
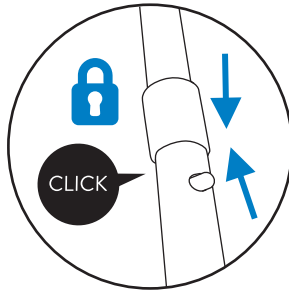
Noting the front legs are wider at the top, assemble the front legs (C) to the assembled seat. Connect the tubes using the spring pin system. Listen for the 'click'.



## 5. Assembly

### 5.4. BACK LEG ASSEMBLY

Noting the back legs are narrower at the top, assemble the back legs (D) to the assembled seat. Connect the tubes using the spring pin system. Listen for the 'click'.

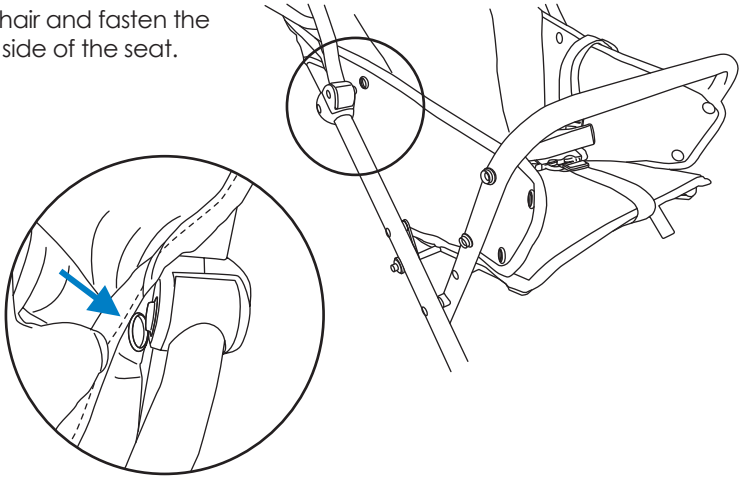




## 5. Assembly

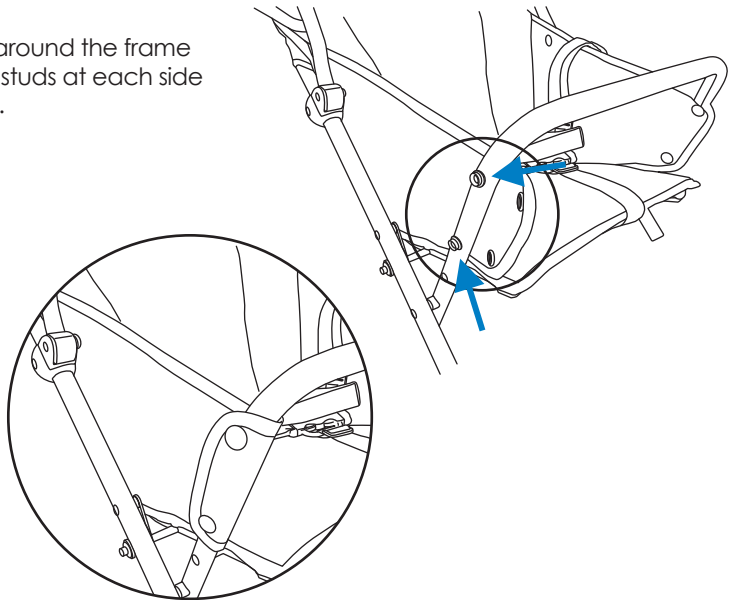
### 5.5. SEAT ASSEMBLY

Open out the highchair and fasten the press studs on each side of the seat.



### 5.6. SEAT ASSEMBLY

Wrap the seat sides around the frame and fasten the press studs at each side of the seat to secure.

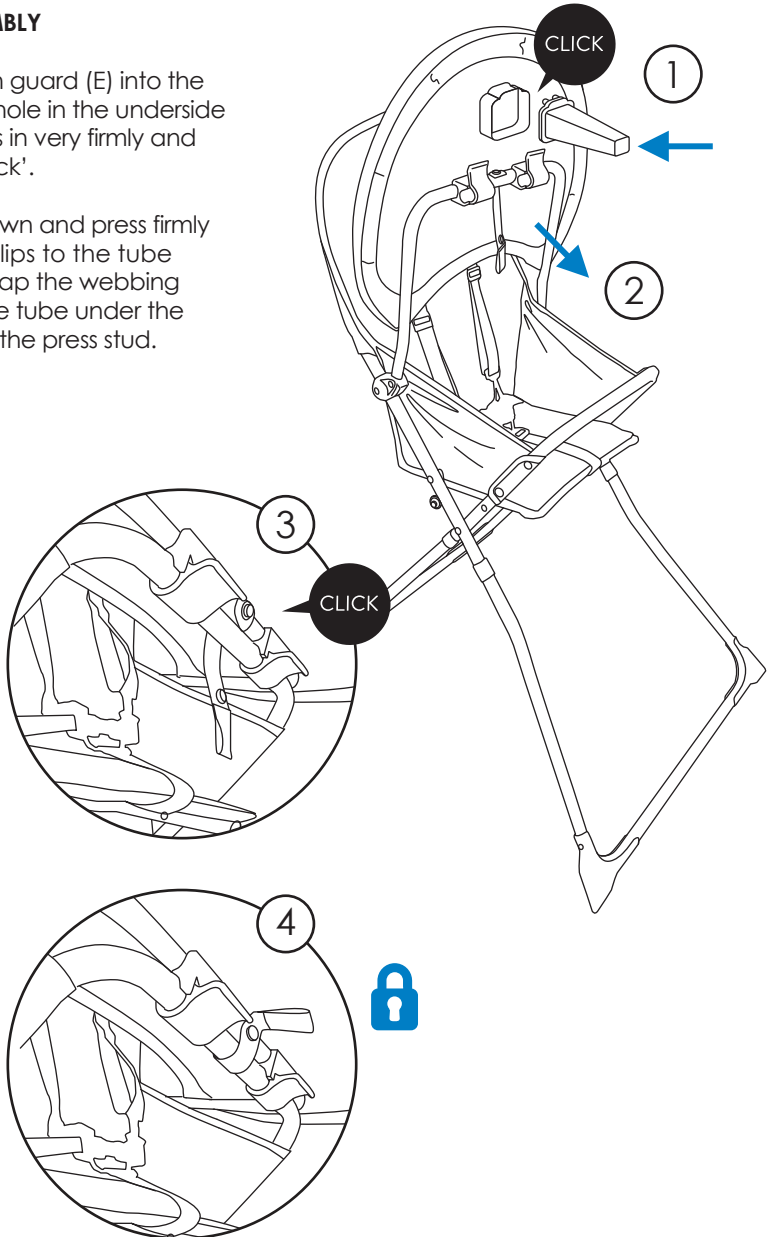


## 5. Assembly

### 5.7. TRAY ASSEMBLY

Insert the crotch guard (E) into the corresponding hole in the underside of the tray. Press in very firmly and listen for the 'click'.

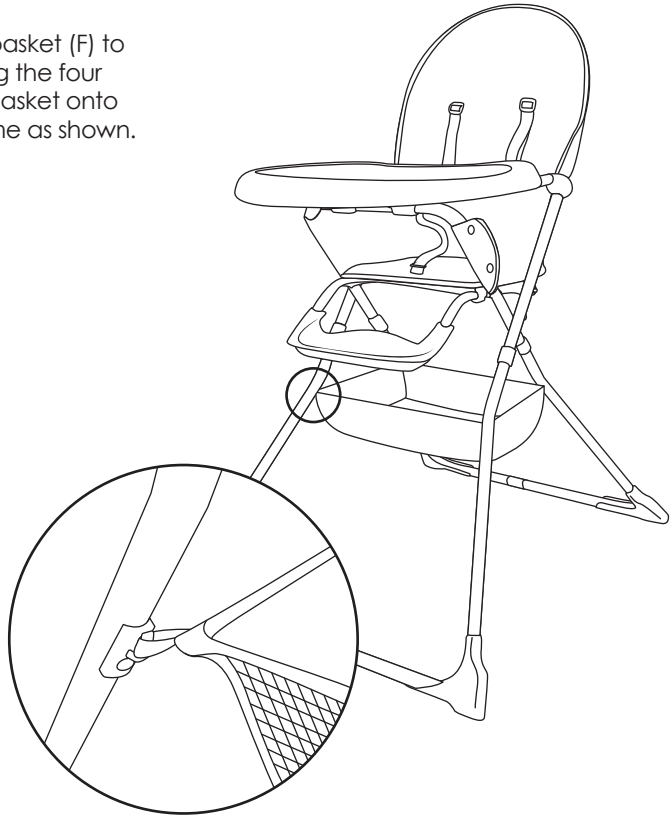
Fold the tray down and press firmly to attach the clips to the tube underneath. Wrap the webbing strap around the tube under the tray and fasten the press stud.



## 5. Assembly

### 5.8. BASKET ASSEMBLY

Attach the storage basket (F) to the frame by hooking the four corner loops of the basket onto the hooks of the frame as shown.

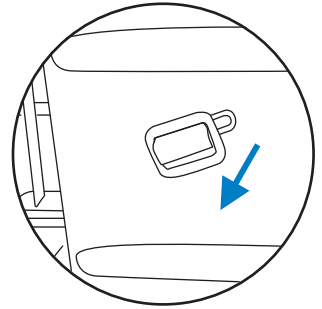
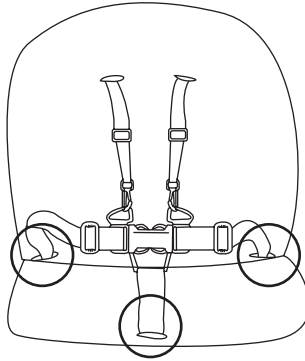


## 5. Assembly

### 5.9. HARNESS ASSEMBLY

A 5-point safety harness is provided to secure your child and should always be worn.

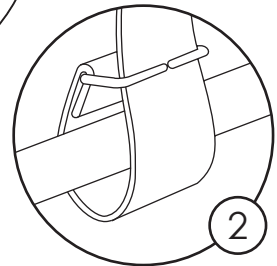
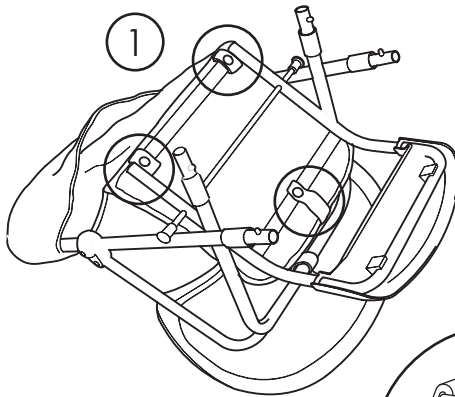
The harness comes part fitted to the seat. The shoulder straps are pre-fitted. Ensure the waist straps and crotch strap are fed through the slots in the seat.



### 5.10. HARNESS ASSEMBLY

With the highchair upturned, wrap the split metal rings at the end of each strap around the support bar located underneath the seat.

Thread the webbing strap through the small gap in the metal ring to secure. Once attached, check the security of the waist and crotch straps by pulling on them from the front of the seat.

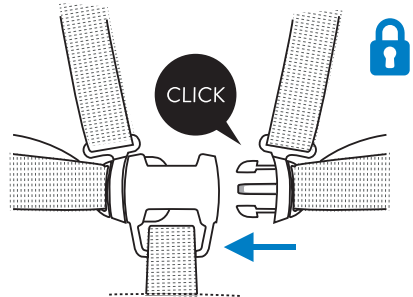


## 6. Using the Highchair

### 6.1. HARNESS ADJUSTMENT

A 5-point safety harness is provided to secure your child and should always be worn.

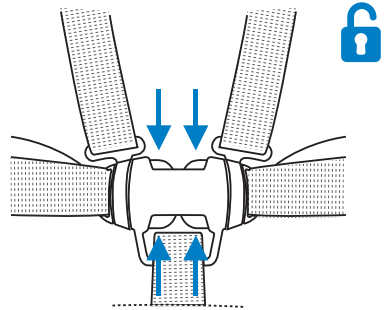
To fasten the harness, push the prongs into the buckle housing. Listen for the "click".



### **WARNING!**

**Always use the harness and ensure it is correctly fitted securely while the child is in the highchair.**

To release, push the prongs and remove from the buckle.

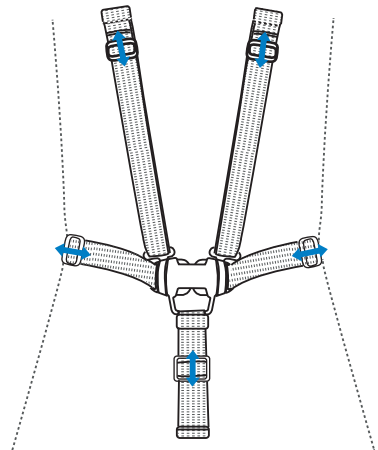


### 6.2. HARNESS ADJUSTMENT

Using the 5 sliding adjusters, adjust the harness to fit your child comfortably.

### **WARNING!**

**Always adjust the harness to fit your child correctly for their comfort and safety. A loose fitting harness can be very dangerous.**

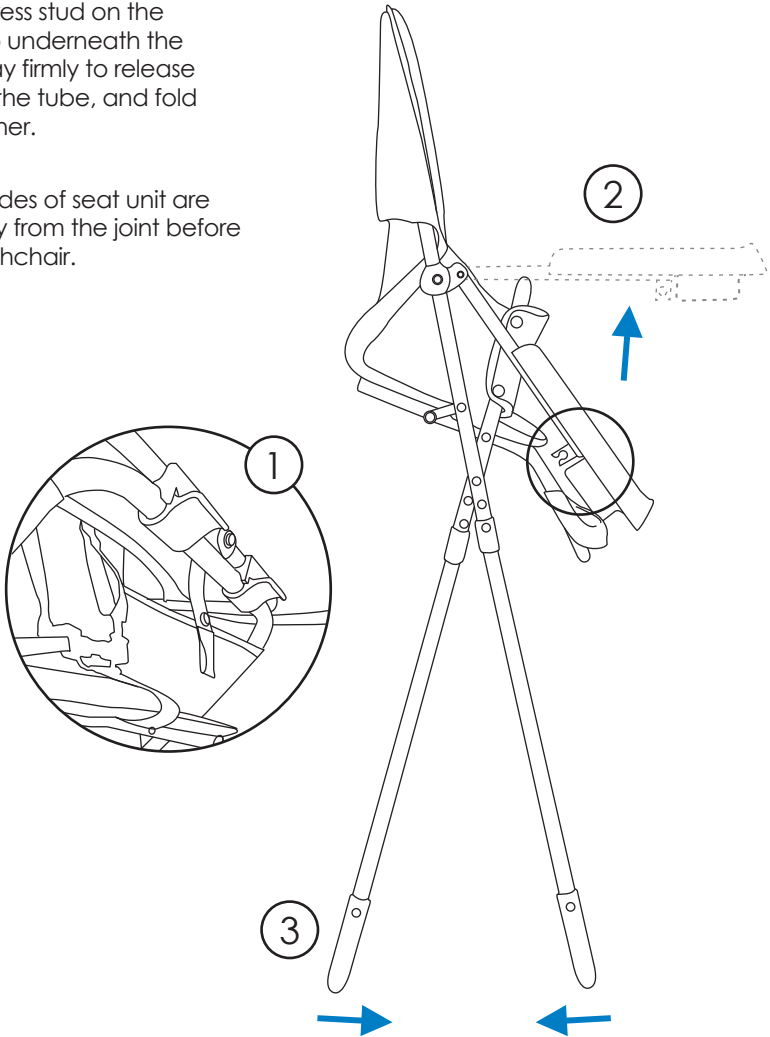


## 6. Using the Highchair

### 6.3. FOLDING

Release the press stud on the webbing strap underneath the tray. Lift the tray firmly to release the clips from the tube, and fold the legs together.

Note: Ensure sides of seat unit are folded in away from the joint before folding the highchair.



## 7. Care and Maintenance

### 7.1. CLEANING



- To clean, wipe with warm water and a mild detergent. A mild disinfectant may be used. Stubborn marks may be removed with a non-abrasive cream cleaner.
- Spot clean the seat pad. Use mild soap or upholstery shampoo. Wash separately. NEVER use bleach. Dry in the shade thoroughly before reuse and avoid direct heat and sunlight. Do not iron. Do not dry clean.
- Sponge clean the harness with a mild soap and water solution. Rinse and wipe dry.
- Never clean any part of highchair with abrasive, ammonia based, bleach based or spirit type cleaners.
- Ensure the highchair is fully dry before use or storage.
- Always ensure the highchair is stored in a dry place away from direct sunlight.

### 7.2. MAINTENANCE

- Regularly maintain your highchair to keep it in good working order.
- Moving parts may be lubricated with a light silicone oil.
- Regularly check all parts of the product to ensure that they are operating correctly and for signs of wear or damage.
- Do not use this product if any part is broken, torn or missing and use only spares provided by the manufacturer.



If you have any questions or concerns regarding this product,  
do not hesitate to contact our expert team online  
via [online4baby.com/contact-us](https://online4baby.com/contact-us)

Feeling social?    
[online4baby.com](https://online4baby.com)

Imported by Online4baby Ltd,  
Meadowbank, Tweedale Way, Oldham, OL9 8EH