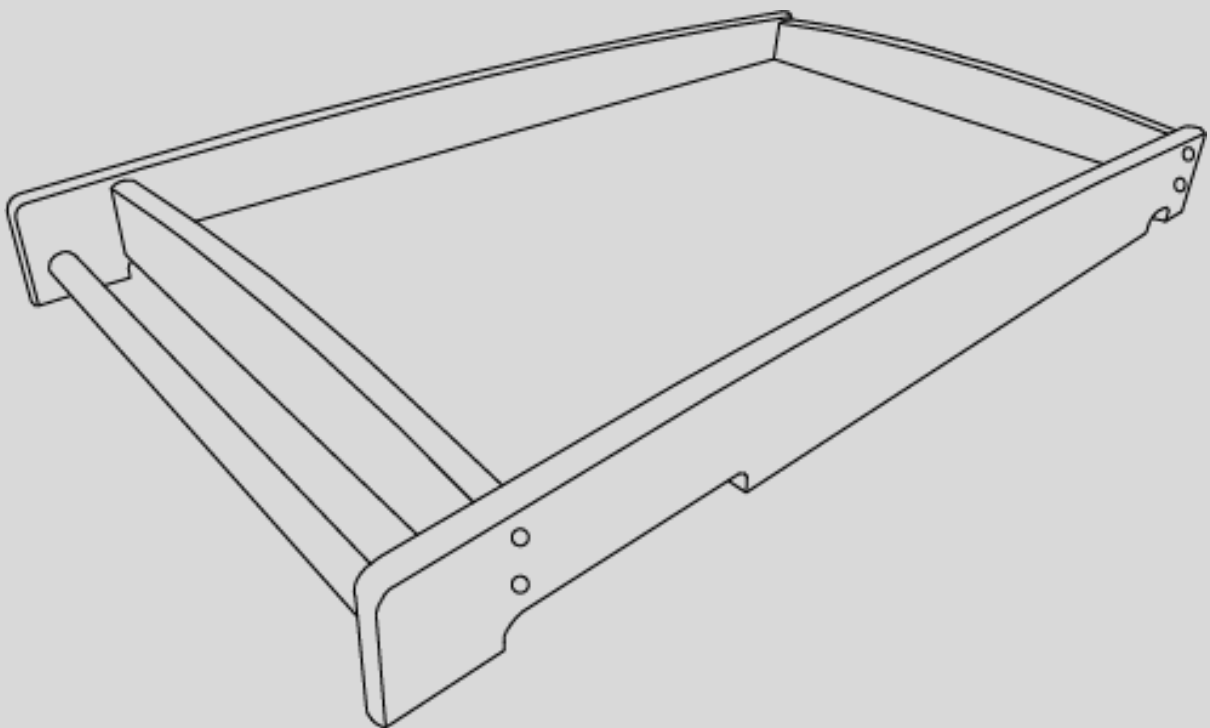


Universal Cot Top Changer

Instruction manual



IMPORTANT – Please read these instructions carefully before use and retain for future reference.

This product conforms to BS EN 12221:2008+A1:2013.

Safety Instructions

IMPORTANT – Read the instructions carefully before use and keep for future reference.

We strongly suggest you spend a short time reading through this leaflet and then follow the simple step by step guide to assembly.

- **WARNING:** Only use on a firm ground which is horizontal, level and dry.
- **WARNING:** Do not let other children play unattended near the Cot Top Changer and Cot.
- **WARNING:** Do not use if any part of the changer is broken, torn or missing.
- DO NOT place near an open fire or other source of strong heat.
- DO NOT place the Cot Top Changer close to another product, which could present a danger of strangulation e.g. strings, blind/curtain cords.
- To prevent entrapment, do not place the Cot Top Changer near to other objects other than the Cot with which it will be sat on.
- This Cot Top Changer is designed to fit Cots and Cot Beds with a width of 62-72cm and hold a Changing Mat between 76cm long and 46cm wide.
- Suitable from birth upto approximately 12 months old (11kg).
- DO NOT use power tools to assemble this product. Power tools can cause screws and their fittings to over-tighten and damage the wood. Power tools will also draw out the embedded insert nuts.
- After product is assembled ensure that all screws are securely tightened.
- Regularly check that fixings are secure and if required tighten accordingly.
- When the Cot Top Changer is not in use, it shall be stored away from children.

Welcome

Thank you for purchasing the Puggle Universal Cot Top Changer.

Please read these instructions and safety warnings carefully before use to ensure safe and satisfactory operation of this product.

Your child's safety is your responsibility. If you have a query with this product or require replacement parts, please contact Online4baby online at online4baby.com/contact-us.

Lay out the parts on a soft level surface and compare to the part/fixings checklist. Do not discard any packaging until you are sure that you have all the parts.

WARNING! Assembly by an adult. Keep away from children until fully assembled. Keep children clear during assembly as pack contains small parts which may present a choking hazard.

Before Assembly

Before assembly, please ensure that you have read and understood the instructions. The carefully unpack our cot top changer and ensure that all parts are present, please see parts list as follows.

Discard packaging in accordance with your local authority guidelines.

We advise that the cot top changer should be assembled in the room where it is intended to be used, one person assembly is recommended. The cot top changer should be assembled on a clean surface, free from any sharp objects that could mark or damage the product.

CAUTION: There are many small components used in the construction of this cot top changer. These items should be kept out of reach of young children whilst assembling the unit.

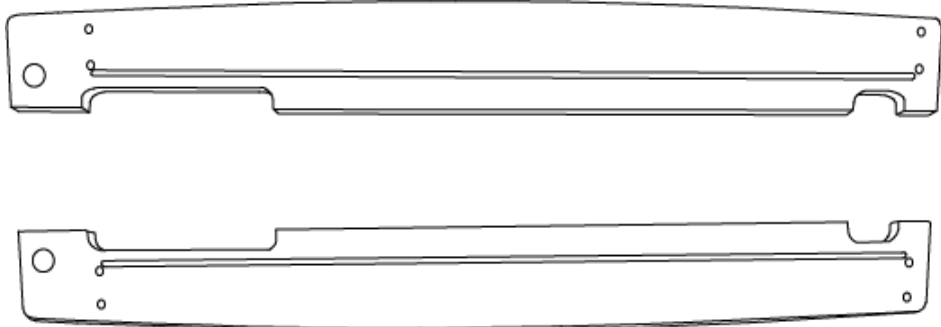
NOTE: When unpacking this product there may be a slight odour, this is perfectly normal. We recommend allowing the product to air out in a well-ventilated room to allow the odour to dissipate prior to use.



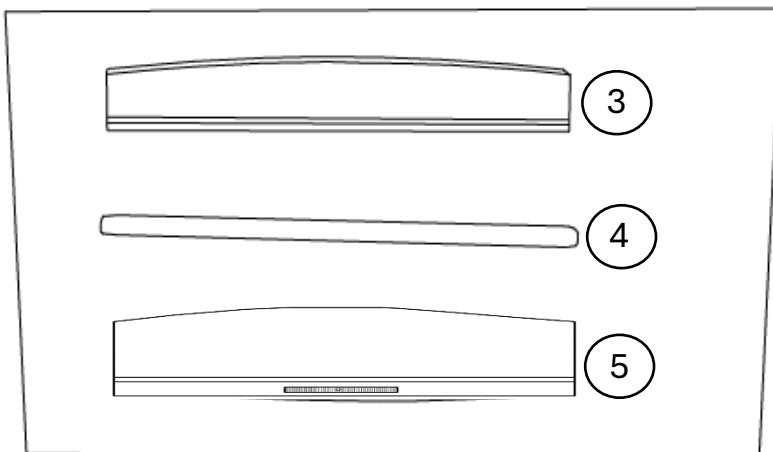
1 Man assembly recommended, approximate build time 15 minutes.



Parts List



1

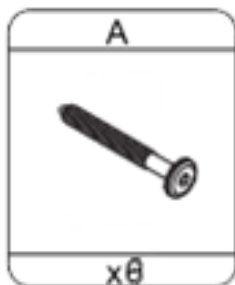


2

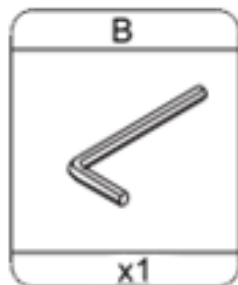
3

4

5



x8

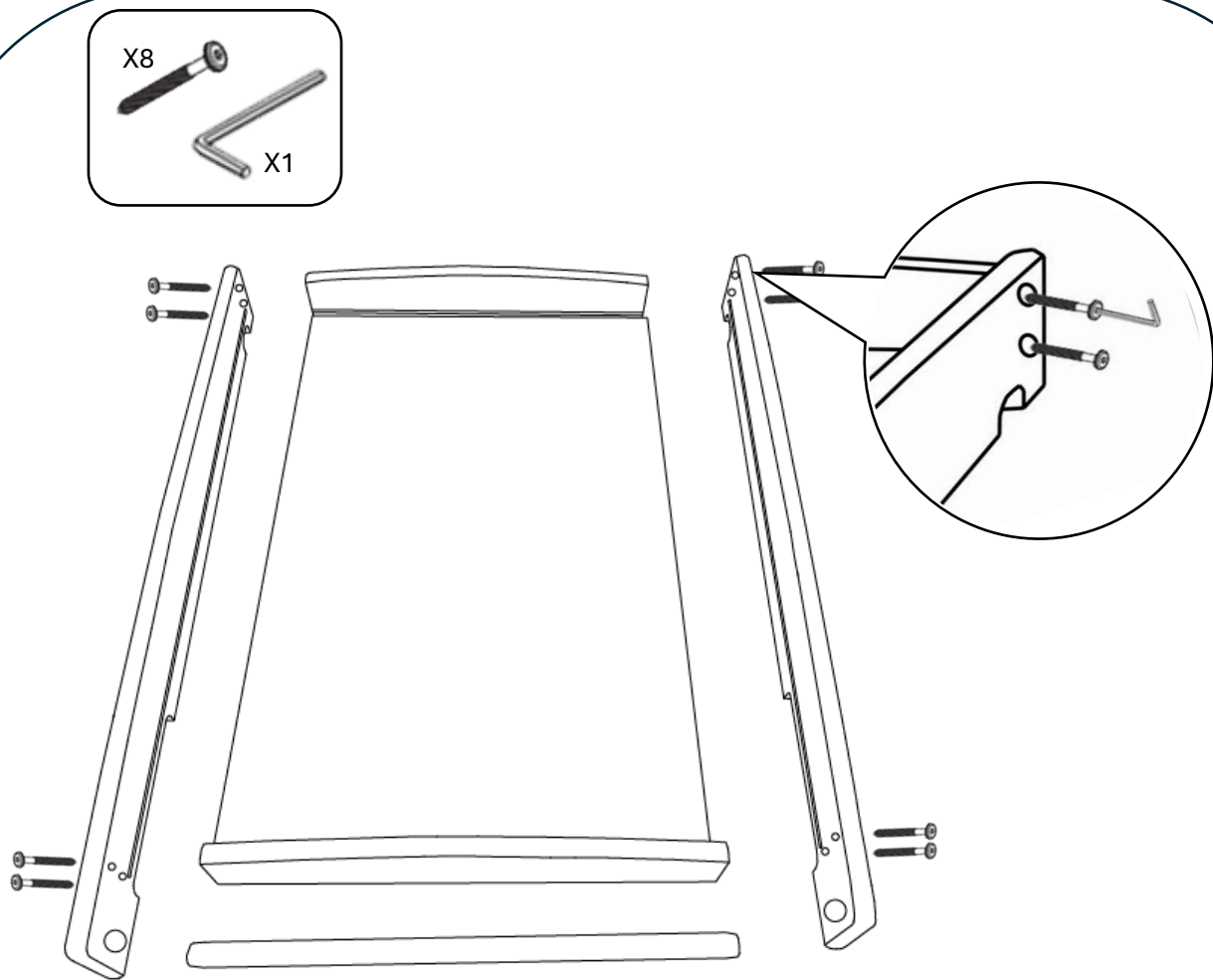


x1

Parts included with your Cot Top Changer are:

Part.	Description	Qty
1.	Length Side Panel	2
2.	Base Board	1
3.	Short Side Panel	1
4.	Handle	1
5.	Short Side Panel	1
A	Bolt	8
B	Allen Key	1

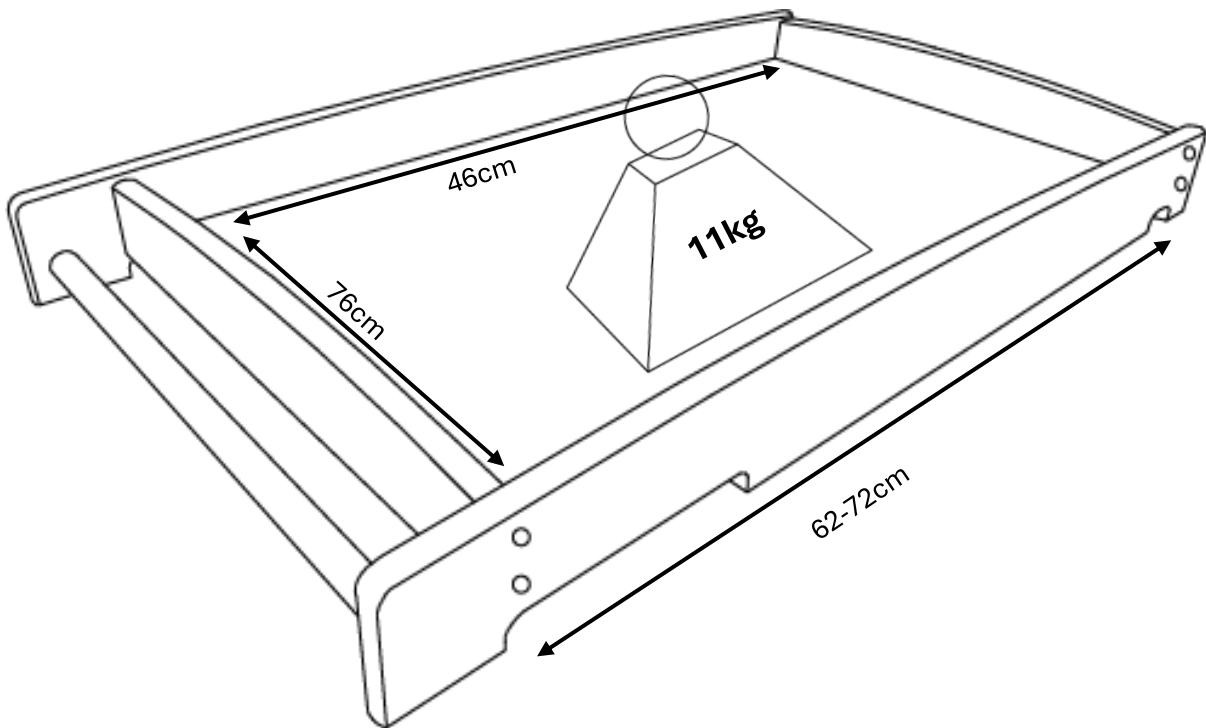
Assembling the Cot Top Changer



1. Attach the Length Side Panels (1) to both the Short Side Panel (3) and Short Side Panel (5), ensuring that Short Side Panel (5) with the fabric tether is at the opposite end to the Handle (4). Ensure that both the Base Board (2) is sat securely within the grooves on all panels and the Handle (4) is securely in the large pre-drilled holes on the Length Side Panels (1). Fix in to place using the Bolts (A) and tighten with the Allen Key (B).

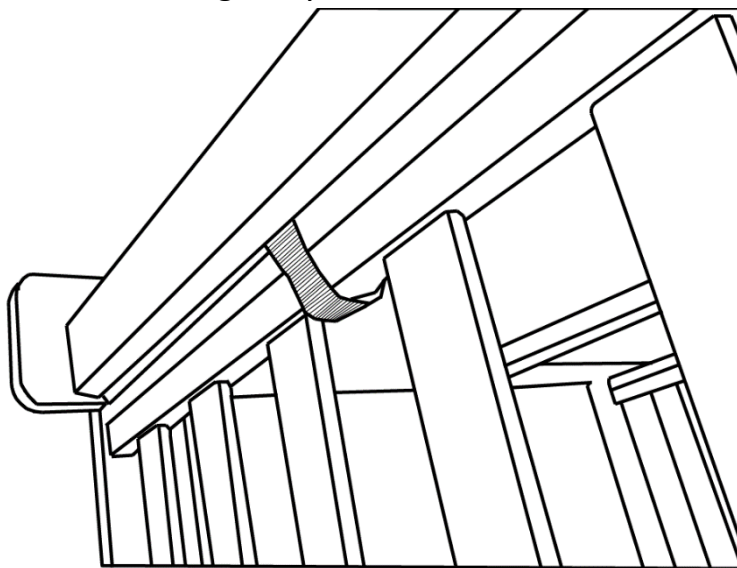
WARNING: DO NOT use power tools to tighten screws.

Assembling the Cot Top Changer



This Cot Top Changer is designed to fit on Cots and Cot Beds with a width of between 62-72cm and hold a Changing Mat between 76cm long and 46cm wide. Suitable from birth upto approximately 12 months old (11kg).


Use the fabric tether to fasten the Universal Cot Top Changer to the Cot when in use and unfasten when storing away.



Care and Maintenance

- Scuff marks may be removed with a soft, damp cloth.
- Occasional use of furniture polish will maintain the finish of your cot top changer
- DO NOT use harsh or abrasive cleaners or bleaches on this product, as they may damage the finish.
- Periodically check all screw fixings to ensure they remain tight and tighten where required.

puggle™

Feeling social?  

[online4baby.com](https://www.online4baby.com)

Imported by Online4baby Ltd.

Meadowbank, Tweedale Way, Oldham, OL9 8EH