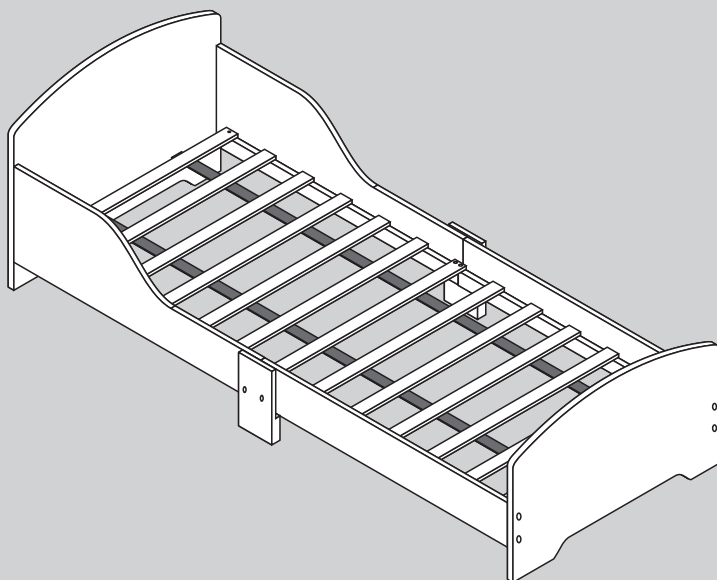


Toddler Bed

Instruction manual



**IMPORTANT - RETAIN FOR FUTURE
REFERENCE, READ CAREFULLY.**

Warning: A child's safety is your responsibility.

This product is tested and approved to
BS8509:2008 + A1: 2011

1. Welcome

Thank you for purchasing the Puggle Toddler Bed. Please read the instructions and warnings carefully before use to ensure safe and satisfactory operation of your Puggle Toddler Bed.

If you have a query with this product or require replacement parts, please contact Online4baby online at online4baby.com/contact-us.

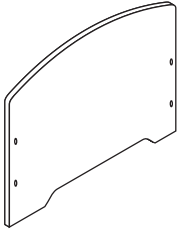
2. Safety instructions

IMPORTANT! PLEASE READ THE FOLLOWING INSTRUCTIONS CAREFULLY BEFORE INSTALLING THE PRODUCT.

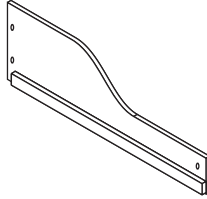
- **WARNING!** Keep for future reference. The child may be hurt if you do not follow these instructions.
- **WARNING!** Choking hazard due to small parts.
- **WARNING!** This toddler bed is to be assembled by an adult.
- **WARNING!** Do not use this item if any components are missing or damaged.
- **WARNING!** Do not use this toddler bed if any part is broken, torn or missing.
- **WARNING!** Regularly check all fastenings to ensure that they are properly tightened.
- **WARNING!** This toddler bed is suitable for a mattress 140cm length and 70cm width and 10cm thickness.
- **WARNING!** Do not use a water mattress with this toddler bed.
- **WARNING!** Do not use plastic bags or other plastic films as a mattress cover as they can cause suffocation.
- **WARNING!** Do not place this toddler bed near heat sources, windows or other furniture.
- **WARNING!** Children are likely to play, bounce, jump and climb on beds, therefore the child's bed should not be placed too close to other furniture or windows, and should be placed either tight to any wall or have a gap of 300mm between the wall and the side of the bed.
- **WARNING!** Strings can cause strangulation. Do not place items with a string around a child's neck. Do not suspend string over toddler bed or attach strings to toys.
- **WARNING!** This toddler bed is suitable for one child aged below 4 years or a maximum weight of 20kg.
- **WARNING!** only use parts provided or recommended by the manufacturer.
- The bed is designed to be dismantled for storage or transportation.

3. Parts List

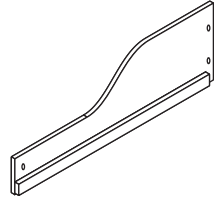
A



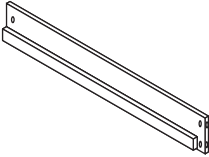
B



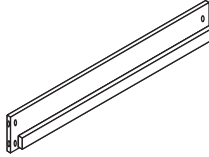
C



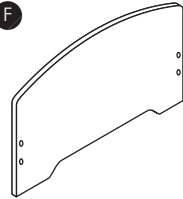
D



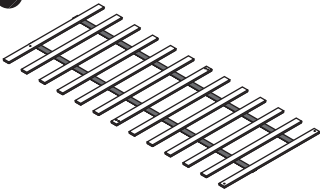
E



F



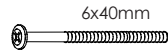
G



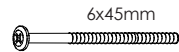
H



I



J



K



L



Contained in your carton are:

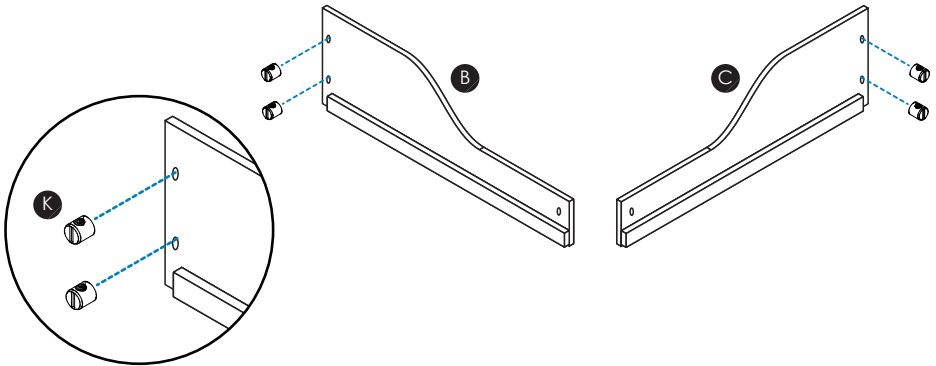
Nº	Part	Qty
A	Head board	1
B	Large left side board	1
C	Large right side board	1
D	Small left side board	1
E	Small right side board	1
F	Foot board	1
G	Slats	1
H	Legs	2
I	Bolt (6x40mm)	8
J	Bolt (6x45mm)	4
K	Barrel nut	12
L	Screw	4

NOTE. Cross headed screwdriver required (not included)

4. Assembly

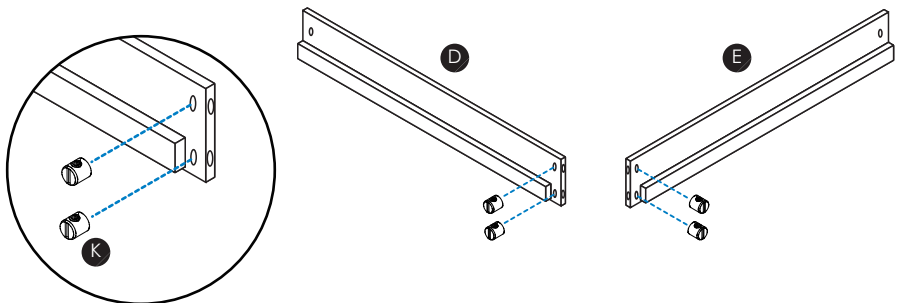
4.1.1. BED FRAME ASSEMBLY

Insert 2 x barrel nuts (K) into each of the large left side board (B) and the large right side board (C).



4.1.2. BED FRAME ASSEMBLY

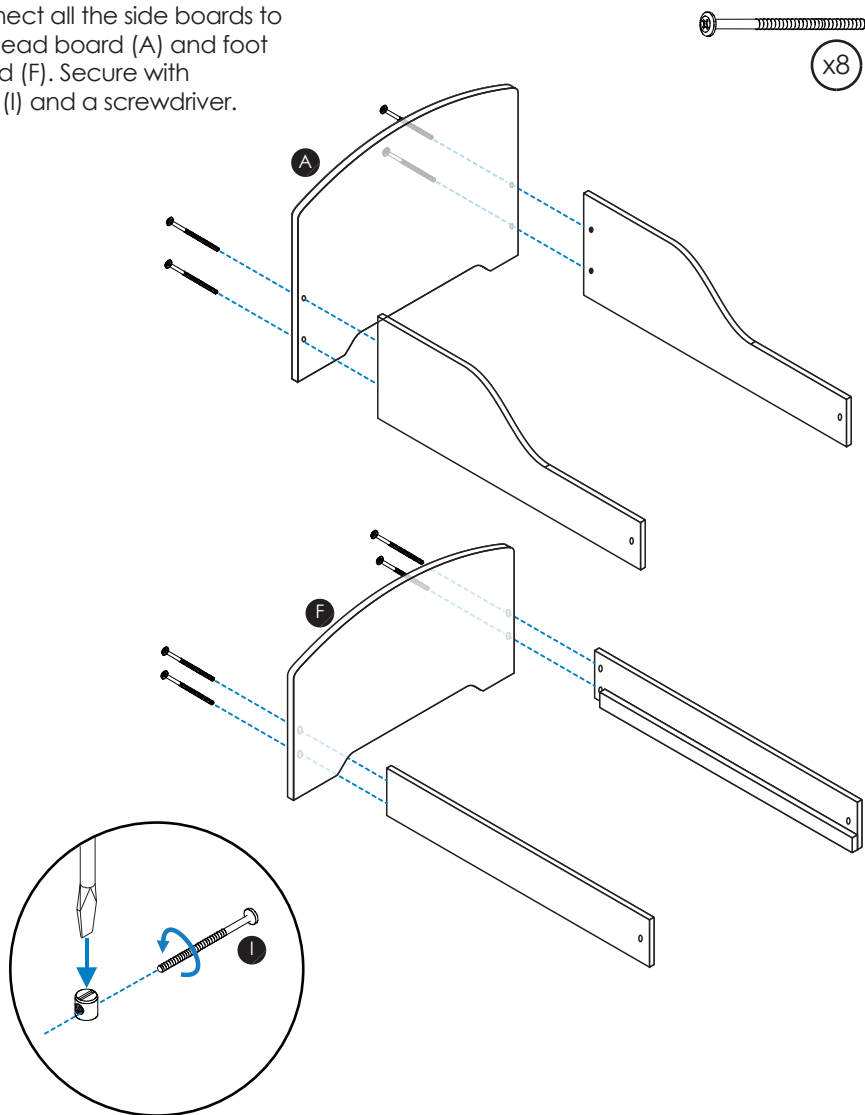
Insert 2 x barrel nuts (K) into each of the small left side board (D) and the small right side board (E).



4. Assembly

4.1.3. BED FRAME ASSEMBLY

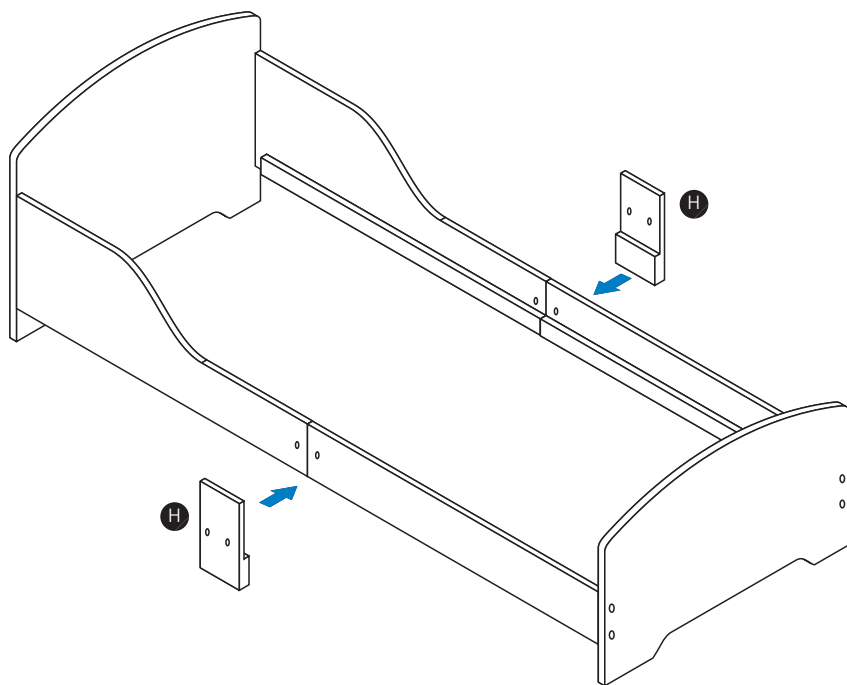
Connect all the side boards to the head board (A) and foot board (F). Secure with bolts (I) and a screwdriver.



4. Assembly

4.2. LEG ASSEMBLY

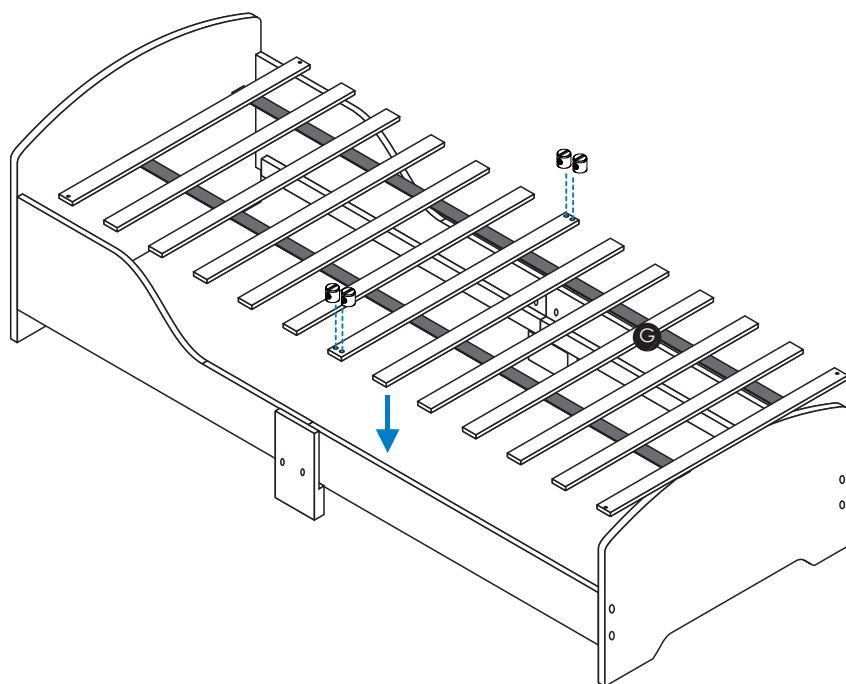
Align the 2 assembled sides of the bed frame as shown.
Position the legs (H) at the join.



4. Assembly

4.3.1. SLAT ASSEMBLY

Align the slats over the base of the bed frame. Insert 2 barrel nuts (K) into the holes located both sides of the centre slat.

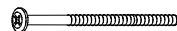


4. Assembly

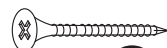
4.3.1. SLAT ASSEMBLY

Secure the legs to the bed frame with bolts (J) and a cross head screwdriver.

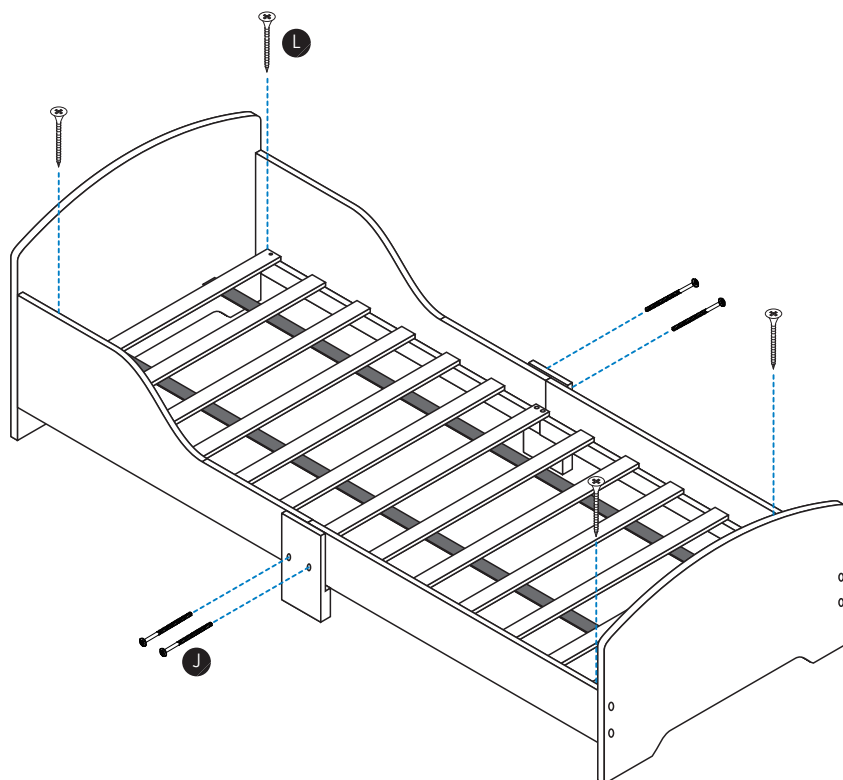
Secure the slats to the bed frame with screws (L) and a screwdriver.



x4

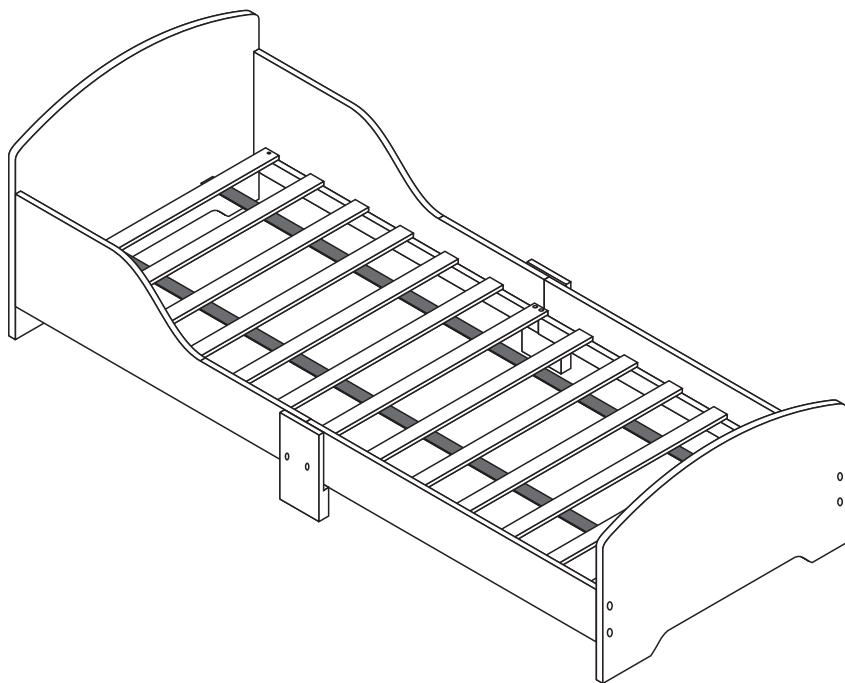


x4



4. Assembly

4.4. COMPLETE ASSEMBLY



5. Care and Maintenance

5.1. CLEANING



- Wipe clean plastics, metals and wood with a damp cloth.
- Never clean any part of the product with abrasive, ammonia based, bleach based or spirit type cleaners.
- Ensure the product is fully dry before use or storage.
- Always ensure the product is stored in a dry place to prevent mold or mildew developing.

5.2. MAINTENANCE

- The product requires regular maintenance to ensure correct and safe performance.
- Do not use this product if any part is broken, torn or missing and use only spares provided by the manufacture.
- Regularly check fixings and tighten where required.
- Store product in a dry location away from any heat sources, and not in the sun.



If you have any questions or concerns regarding this product,
do not hesitate to contact our expert team online
via online4baby.com/contact-us

Feeling social?  
online4baby.com

Imported by Online4baby Ltd,
Meadowbank, Tweedale Way, Oldham, OL9 8EH