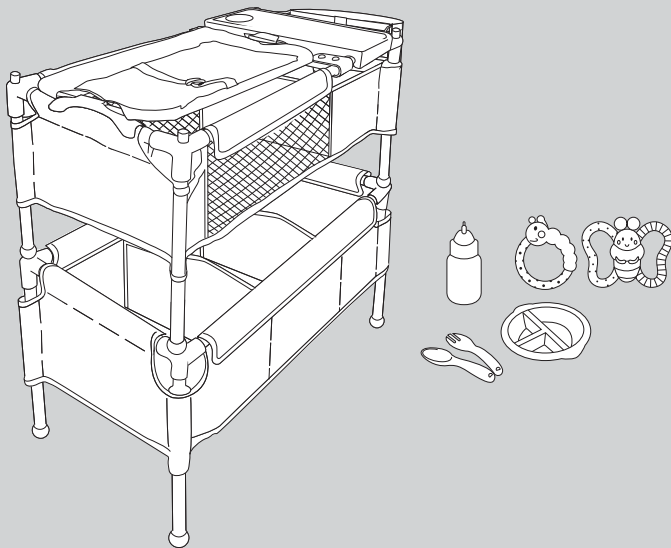


# 3 in 1 Dolls Cot Changing and Feeding Station

Instruction manual



**IMPORTANT - RETAIN FOR FUTURE  
REFERENCE. READ CAREFULLY.**

**Warning:** A child's safety is your responsibility.

# 1. Contents

1. Contents .....	.01
2. Welcome .....	.01
3. Safety instructions .....	.01
4. Parts list .....	.02
5. Assembly .....	.03-06
6. Care and maintenance .....	.07
6.1. Cleaning .....	.07
6.2. Maintenance .....	.07

# 2 .Welcome

Thank you for purchasing the Puggle 3 in 1 Dolls Cot Changing and Feeding Station.

Please read the instructions and warnings carefully before use to ensure safe and satisfactory operation of your Puggle 3 in 1 Dolls Cot Changing and Feeding Station.

If you have a query with this product or require replacement parts, please contact Online4baby online at [online4baby.com/contact-us](http://online4baby.com/contact-us).

# 3. Safety Instructions

**IMPORTANT! PLEASE READ THE FOLLOWING INSTRUCTIONS CAREFULLY BEFORE USING THE PRODUCT.**

- **WARNING!** Not suitable for children under 36 months. Strangulation hazard due to long cord and choking hazard due to small parts.
- **WARNING!** Please remove all packaging attachments before giving this toy to a child.
- **WARNING!** Assembly should be carried out by an adult to prevent the item collapsing in use.
- **WARNING!** This item is a toy and not suitable for carrying a baby, child or pet.
- **WARNING!** Adults should check the item regularly to prevent collapse during play.
- Wash accessories thoroughly before use.
- Keep these details for further reference.
- Specifications, colours and contents may vary from illustration. MADE IN CHINA
- Do not use parts or accessories which are not approved by the manufacturer.
- Do not allow your child to climb onto the product.

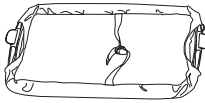


# 4. Parts List

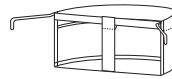
A



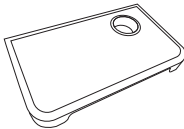
B



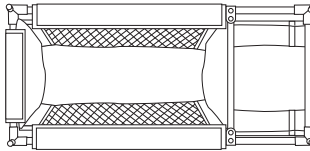
C



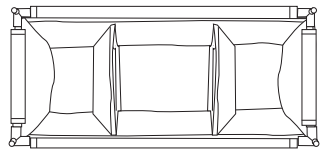
D



E



F



G



H



I



J



K



L



## Contained in your carton are:

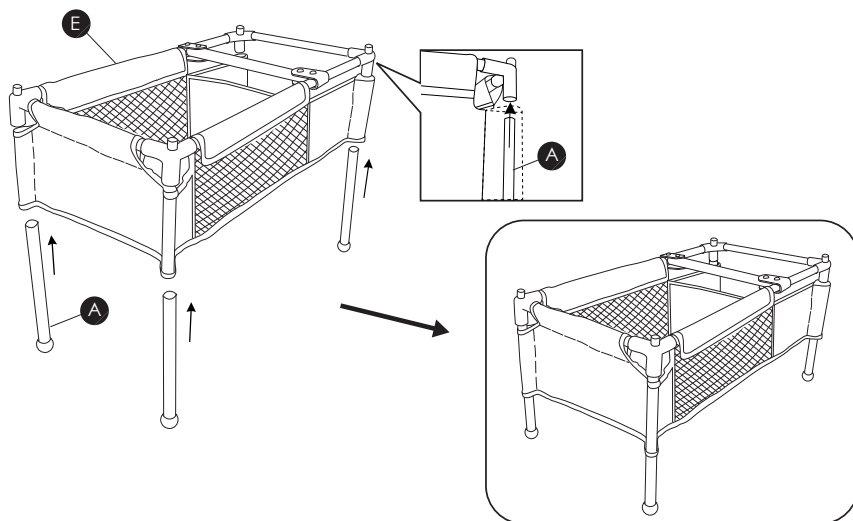
N <sup>o</sup>	Part	Qty
A	Cot leg	8
B	Diaper changing table	1
C	Seat	1
D	Table	1
E	Upper cot	1
F	Storage compartment	1
G	Bowl	1
H	Spoon	1
I	Fork	1
J	Milk bottle	1
K	Caterpillar	1
L	Butterfly	1

\*Toys may vary slightly from illustration

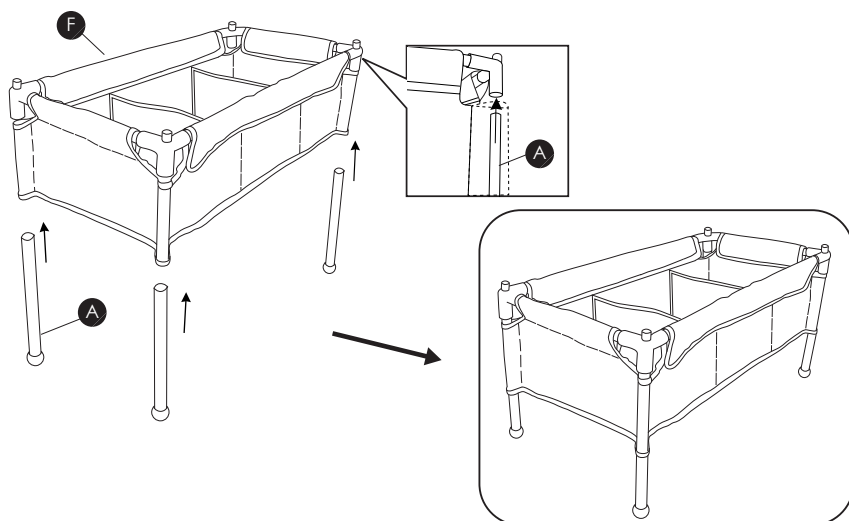
## 5. Assembly

Check that all parts are present before starting assembly.

5.1.

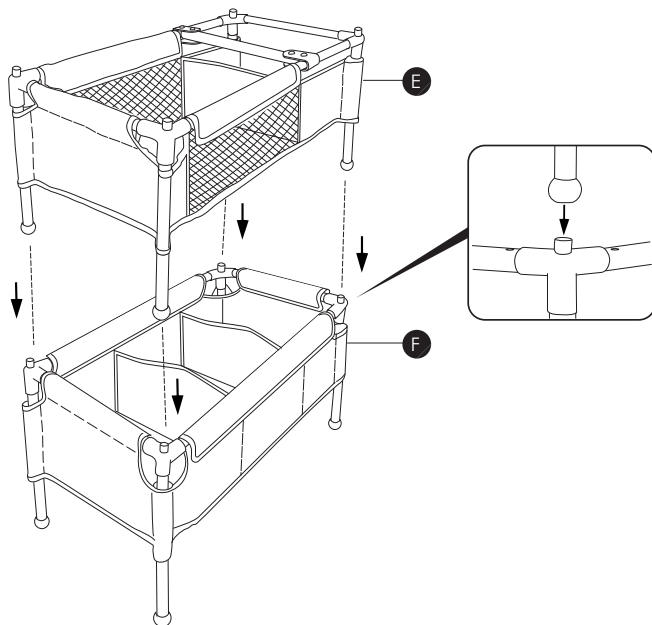


5.2.

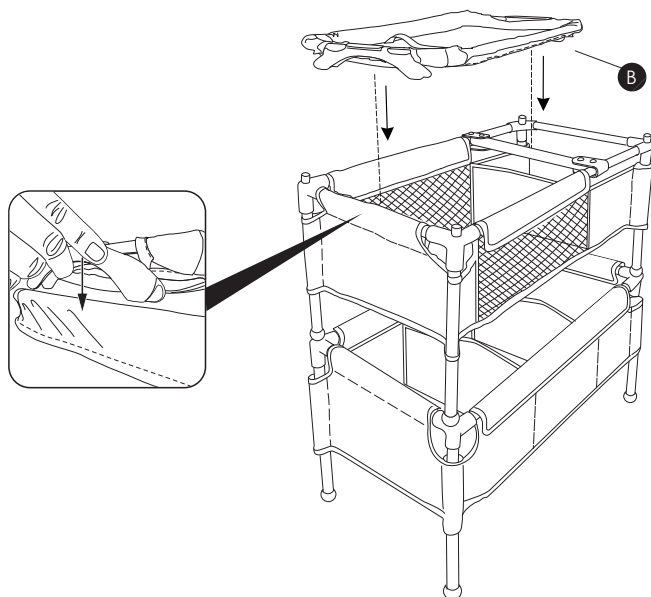


## 5. Assembly

5.3.

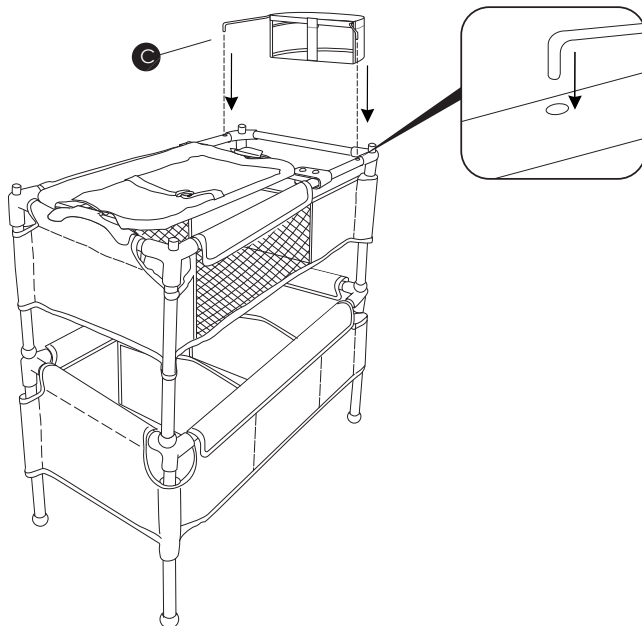


5.4.

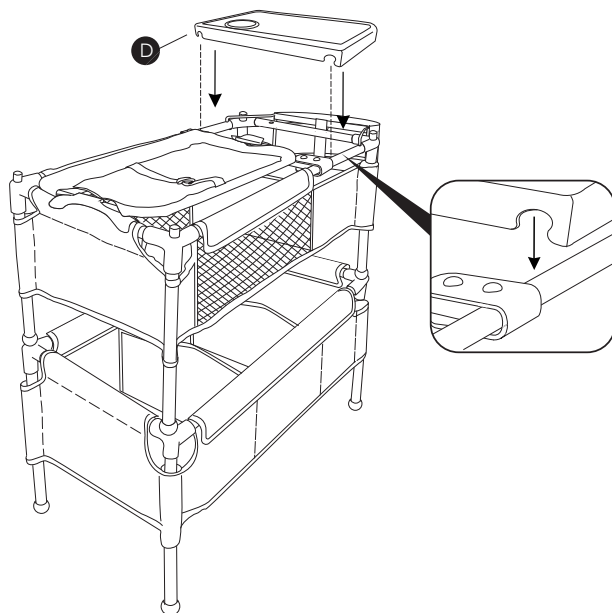


## 5. Assembly

5.5.

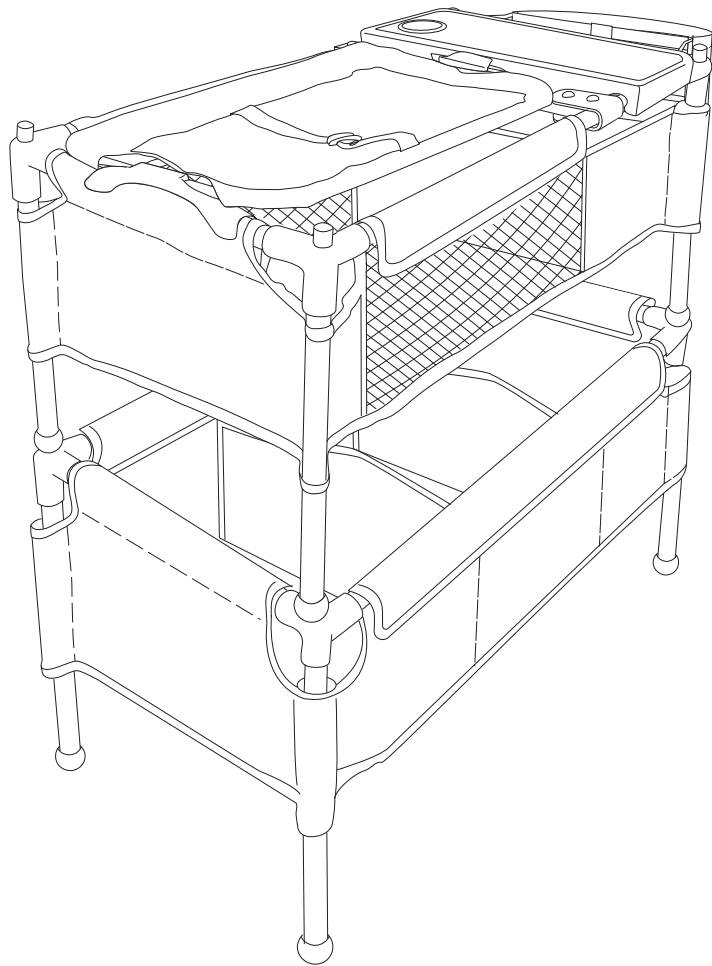


5.6.



## 5. Assembly

5.7.



## 6. Care and Maintenance

### 6.1. CLEANING

- Please wipe clean using a damp cloth with mild detergent if necessary.
- Ensure product is fully dry before use or storage.
- Never clean any part of the product with abrasive, ammonia based, bleach based or spirit type cleaners.



### 6.2. MAINTENANCE

- All assembly fittings are to be tightened properly.
- Inspect regularly and re-tighten as necessary.
- Store product in a dry location away from any heat sources, and not in the sun.
- Do not use accessories or replacement parts other than those approved by the manufacturer.
- Do not use this product if any part is broken, torn or missing and use only replacement parts provided by the manufacturer.





If you have any questions or concerns regarding this product,  
do not hesitate to contact our expert team online  
via [online4baby.com/contact-us](https://online4baby.com/contact-us)

Feeling social?    
[online4baby.com](https://online4baby.com)

Imported by Online4baby Ltd,  
Meadowbank, Tweedale Way, Oldham, OL9 8EH, UK