



PUGGLE

Elite Sport 2 in 1 Ride On Car

Instruction manual

Welcome!

Thank you for purchasing the Elite Sport 2 in 1 Ride On Car.

This instruction manual will guide you through the setup, use, and maintenance of your new pushchair, ensuring you get the most out of its versatile features. Please read through the following information and safety warnings carefully to fully understand and enjoy all the benefits your Elite Sport 2 in 1 Ride On Car has to offer, and to ensure its safe operation.

We're here to help!

If you have a query with this product or require replacement parts, please contact us at the web address below.

thenurserystore.com/contact-us


Follow us on social media:

 Facebook

 Instagram

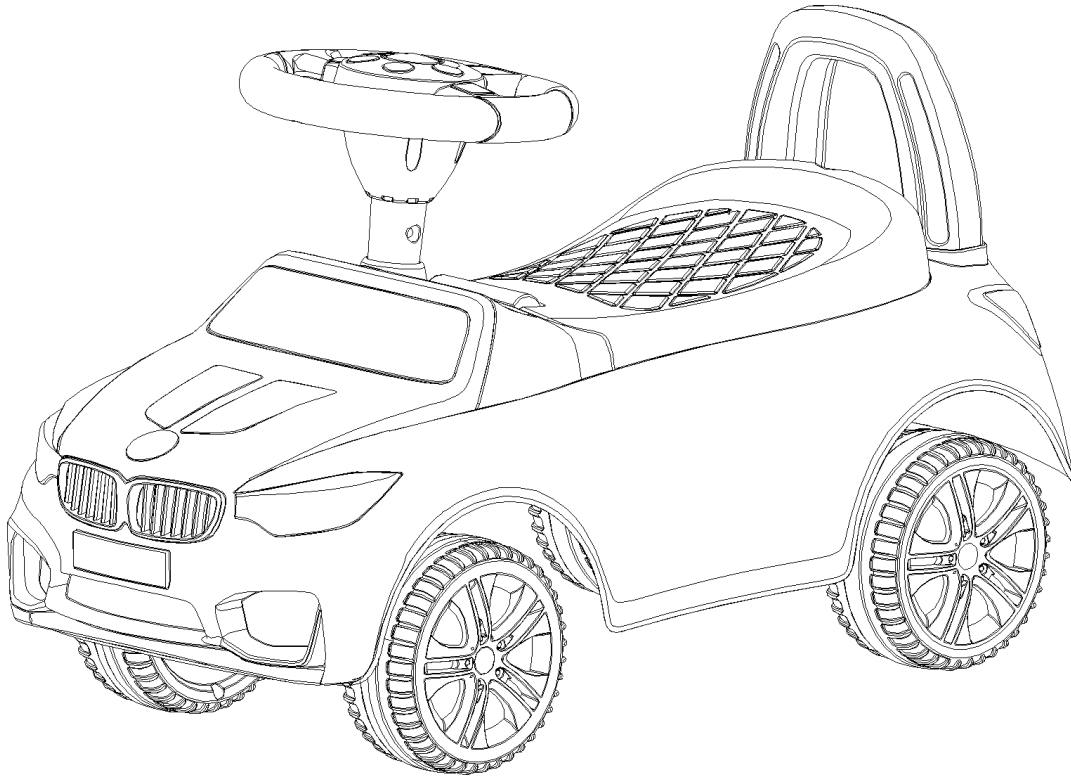
 YouTube

 TikTok

 X (formerly known as Twitter)

 Pinterest

Important Information




IMPORTANT! Your Puggle Elite Sport 2 in 1 Ride On Car may differ slightly from images shown above and throughout, as the images used are for illustration purposes only.

Your Puggle Elite Sport 2 in 1 Ride On Car is tested to comply with EN 71.

- Bags and other items should not be hung from the handles as this can affect the stability of the product.
- DO NOT use parts or accessories which are not approved or supplied by the manufacturer.
- DO NOT allow your child to play with this product without adult supervision.
- Overloading and the use of non-approved accessories is unsafe and may damage or break this product.
- Maximum capacity is 25kg.

Safety Instructions

IMPORTANT – Read the instructions carefully before use and keep for future reference.

- **WARNING:** A child's safety is your responsibility.
- **WARNING:** Adult assembly is required.
- **WARNING:** Ensure that all components are fitted securely into place and tightened where applicable before allowing your child to play with the Elite Sport 2 in 1 Ride On Car.
- **WARNING:** Ensure that the child is supervised by an adult when using the Elite Sport 2 in 1 Ride On Car at all times, and is taught about the correct usage of the product.
- **WARNING:** This product is suitable for use by one child at a time only.
- **WARNING:** DO NOT overload this product, maximum capacity is 25kg.
- Approximate age range is 18 months to 6 years.
- **WARNING:** Keep hands and other limbs away from moving parts such as the wheel to prevent entrapment and injury.
- **WARNING:** Protective equipment should be worn. Children should wear approved protective equipment e.g. helmet and correct fitting is required.
- **WARNING:** DO NOT allow a child to ride on roadways, public highways or alleys. Not to be used in traffic.
- **WARNING:** DO NOT allow a child to ride on steeply sloped areas, near steps, swimming pools, or other bodies of water.
- For use on smooth, paved surfaces only.
- Ensure that the rider keeps both hands on either the steering wheel or armrest at all time for proper control.
- **WARNING:** DO NOT allow a child to ride the product at dusk, at night or at times of limited visibility.
- Children should be reminded that the toy should be used with caution, since it requires skill, so as to avoid falls or collision causing injury to the user and third parties. They should also be reminded of the dangers of using this product on public highways.
- All assembly fittings should always be tightened properly, checked periodically and the care should be taken that no bolts are loose, because a child could trap parts of the body or clothing (e.g. strings, necklaces, ribbons for babies' dummies), which could pose a risk of suffocation and strangulation.
- Replace broken or worn parts immediately, only use parts supplied or approved by the manufacturer.
- This Puggle Elite Sport 2 in 1 Ride On Car conforms to BS EN 71. 

Battery Safety

ATTENTION! BATTERY SAFETY: KEEP FOR FUTURE REFERENCE

Read these instructions carefully before use and keep for future reference. The child may be hurt if you do not follow these instructions. The Elite Sport 2 in 1 Ride On Car requires 2 x AA 1.5 Volt alkaline type batteries (not included).




To fit and replace batteries: remove the screw on the battery compartment located on the steering wheel with a small cross headed screwdriver, remove the battery compartment cover. Insert the batteries observing the correct polarity as shown on the inside of the battery compartment. Replace the battery compartment cover and fix into place using the screw, ensure that the wiring is connected using the connectors on both the car body and the steering wheel.

CAUTION! To prevent possible battery leakage, be sure to follow the guidelines outlined below:

- Batteries must only be installed by an adult.
- Alkaline batteries are recommended for longer battery life.
- DO NOT mix old and new batteries.
- DO NOT mix alkaline, standard (Carbon Zinc) or rechargeable batteries.
- Non-rechargeable batteries are not to be recharged.
- Rechargeable batteries are to be removed from the toy before being charged.
- Rechargeable batteries are only to be charged under adult supervision.
- Only batteries of the same or equivalent type as recommended are to be used.
- Batteries are to be inserted correctly by matching the + and – polarity markings.
- Exhausted batteries are to be removed from the toy.
- The supply terminals are not to be short circuited.
- Dispose of exhausted batteries properly, in accordance with your local authority guidelines.
- Remove batteries when product is stored for long periods of time.

Symbols and their meaning

There are a number of symbols used through this manual, please find below breakdown of what each symbol is and what it means.

	<p>European conformity – This mark is applied to both physical product and product packaging, indicating conformity with the relevant European testing standards.</p>
	<p>UK Conformity Assessed – This mark is applied to both physical product and product packaging, indicating conformity with the relevant UKSI testing standards.</p>
	<p>WEEE symbol - This mark indicates that waste electrical and electronic equipment should not be recycled with household waste and must be recycled in accordance with local authority guidelines.</p>

What's in the box

x1 Puggle Elite Sport 2 in 1 Ride On Car

x1 Instruction Manual

Before Assembly

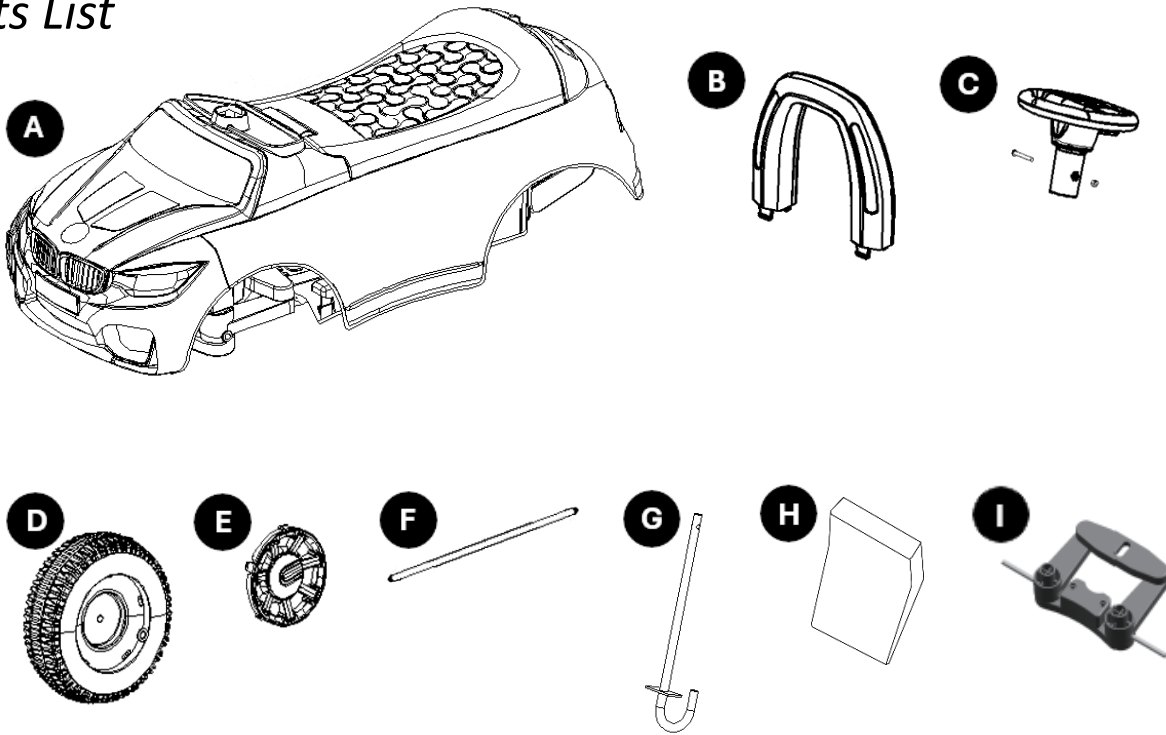
Before assembly, please ensure that you have read and understood the instructions. Then carefully unpack your Elite Sport 2 in 1 Ride on Car and ensure that all parts are present, please see parts list as follows.

Discard packaging in accordance with your local authority guidelines.

The Elite Sport 2 in 1 Ride on Car should be assembled on a clean surface, free from any sharp objects that could mark or damage the product.

CAUTION: There are many small components used in the construction of this Elite Sport 2 in 1 Ride on Car. These items should be kept out of reach of young children whilst assembling the unit.

Parts List

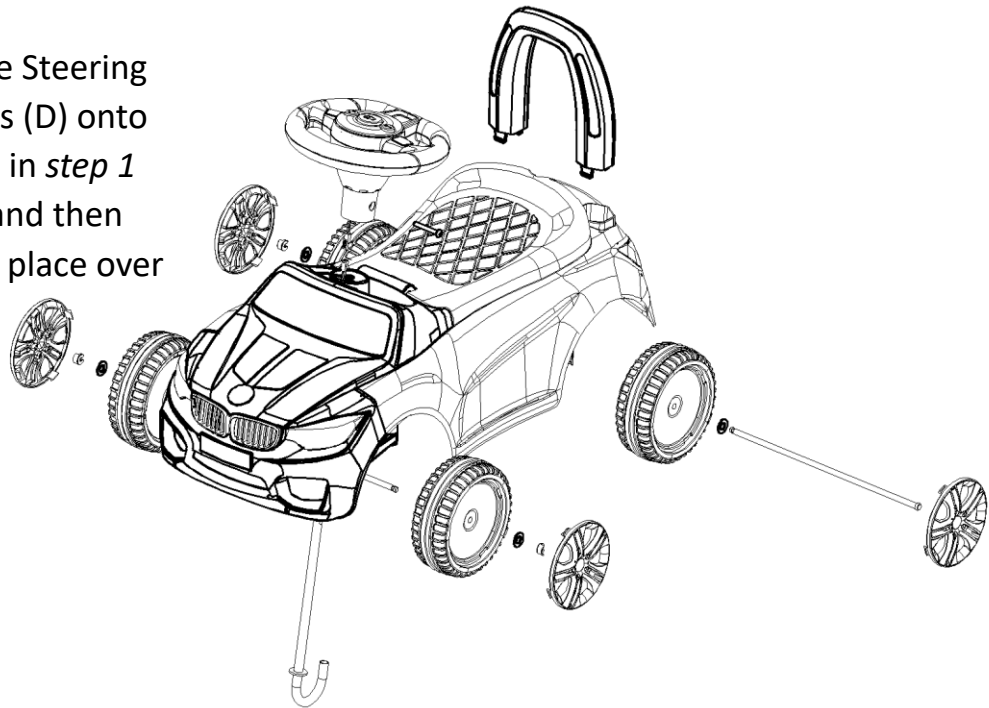


Parts included with your 2in1 Ride On are:

Part	Description	Quantity
A	Car Body	1
B	Backrest	1
C	Steering Wheel	1
D	Wheel	4
E	Wheel Cover	4
F	Rear Axle	1
G	Steering Axle	1
H	Anti-Roll Block & Screws	1
I	Steering Set & Screws	1

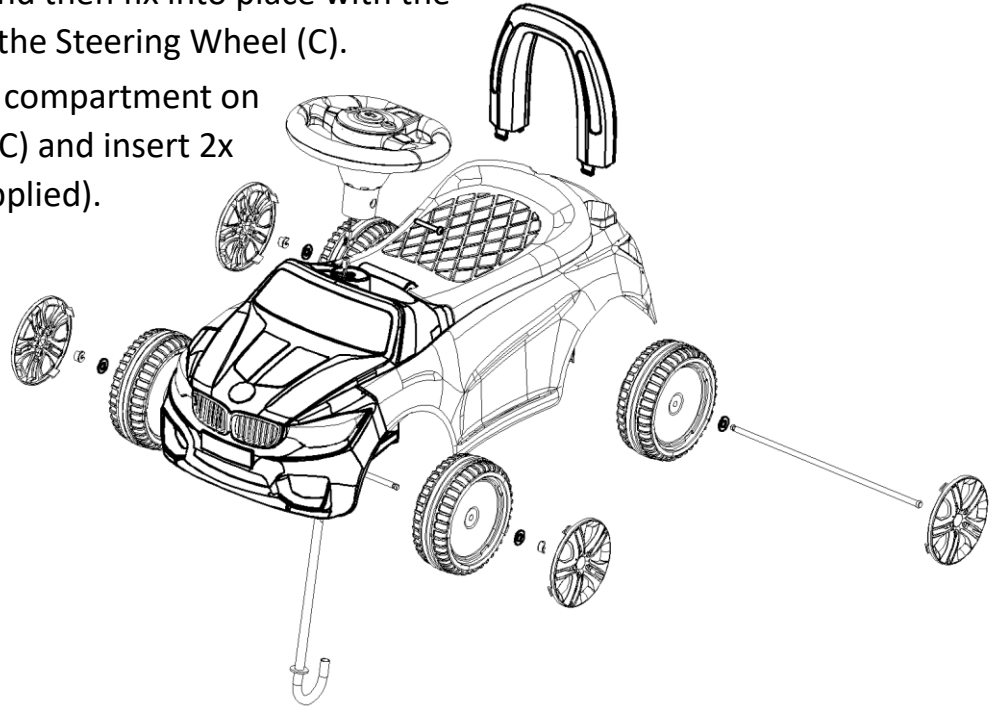
Assembling the Ride On

1. Position the Car Body (A) upside down and install the Steering Axle (G) into the hole on the Car Body (A), place the Steering Set (I) in the corresponding slot and fix with the 2 screws supplied with the Steering Set (I).
2. Insert the Backrest (B) into the Car Body (A) and push until it clicks into place.
3. Remove the end caps from the Steering Set (I) and slot 2 of the Wheels (D) onto the Steering Set (I) assembled in *step 1* above. Replace the end caps and then Clip the Wheel Covers (E) into place over the Wheels (D).
4. Remove the end caps and washers from the Rear Axle (F) and then insert the Rear Axle (F) through the corresponding hole on the underside of the Car Body (A) and then slot the 2 remaining Wheels (D) onto the Rear Axle (F) and replace the washers and end caps and then clip the Wheel Covers (E) into place.
5. Attach the Anti-Roll Block (H) in place in the cut-out on the underside of the Car Body (A) and fix into place using the screws provided with the Anti-Roll Block (H).



Assembling the Ride On

6. Insert the Steering Axle (G) into the Car Body (A), attach the Steering Wheel (C) and ensure that the cable is connected from the Car Body (A) to the Steering Wheel (C) and then fix into place with the screw supplied with the Steering Wheel (C).
7. Unscrew the battery compartment on the Steering Wheel (C) and insert 2x AA batteries (not supplied).



Audio Functions

The Elite Sport 2in1 Ride On Car, features a number of audio functions;



Press to select 1 of the 6 pre-programmed songs.



Press to select car horn sound.



Press to select car engine starting and revving motor sound.

Care and Maintenance

Cleaning

- Scuff marks may be removed with a soft, damp cloth.
- DO NOT use harsh or abrasive cleaners or bleaches on this product, as they may damage the product.

Maintenance

- Periodically check all fixings to ensure they remain tight and tighten where required.
- Regularly inspect the wheels, joints and fixings to ensure they are clean, operating correctly and in full working order.
- Do not use this product if any part is broken, torn or missing and use only spares provided by the manufacturer.
- If parts become stiff or difficult to operate, ensure dirt is not the cause, then try a light application of a silicon lubricant, ensuring it penetrates between the components. Regular lubrication of moving parts will extend the life of your product and make opening and folding easier.
- After exposure to damp conditions, dry off with a soft cloth and leave fully open in a warm environment. Storing damp will encourage mildew to form.
- Store in a dry place.
- Do not leave in sunlight for prolonged periods as some colours may fade.

Troubleshooting Tips

Issue	Possible Root Cause	Solution
Wheels are stiff and not turning as expected.	Wheels have become clogged with dirt or the wheel has worked loose.	Ensure that wheel is free of any dirt or debris and is securely in place.
Steering wheel is not turning the front wheels.	Steering Axle is not securely attached.	Ensure that the steering axle is properly attached and the steering wheel is also attached.
Audio is not playing when corresponding button is pressed, LED's do not flash.	Cable is not connected.	Ensure cable is connected between the Steering Wheel (C) and Car Body (A).
	Batteries are exhausted.	Replace batteries.

For any and all other product issues not covered in the above please contact our dedicated customer services team at the below web address and they will hope to resolve any queries that you may have as soon as possible.

thenurserystore.com/contact-us

Recycling the packaging

When you've unpacked your product and have ensured that all parts are present, please discard packaging components in accordance with your local authority guidelines, for further information please check the material and your postcode at <https://www.recyclenow.com/recycle-an-item>. Your packaging will include the following materials;

Carton – 5Ply Corrugated Paper – Widely recycled in your card and paper bin.

Polybag – PE plastic – Recycle with bags at large Supermarkets.

WARRANTY

Thank you for purchasing your Puggle product.

At the nursery store we endeavour to provide quality, affordable products and as such we look to provide you as a proud parent with peace of mind that your Puggle product comes with a standard 12 months warranty

Your Puggle product is guaranteed for 12 months from the date of original purchase. If any defects should arise due to faulty workmanship or material, your faulty product should be returned to us and repair, replacement or refund will be at our discretion based upon thorough investigation from our QA team.

The guarantee is subject to the following provisions:

- The product must be assembled correctly and operated in accordance with the requirements contained within the instruction manual.
- The product must be solely used for domestic purposes.
- It does not cover general wear and tear, damage, misuse or any consumable parts.
- The warranty is rendered invalid if the product has been resold or has been damaged through inexpert repair.
- The warranty is only valid within the UK.

You do not need to validate your 12 month warranty, it will be effective as of initial purchase date.

For full terms and conditions please see online at,
www.thenurserystore.com/s/12-month-product-warranty-registration

PUGGLE

thenurserystore.com

Imported by Online4baby Ltd.

Meadowbank, Tweedale Way, Oldham, OL9 8EH